



BARCLAY



Bathtub Kits 2019

A white clawfoot bathtub is the central focus, positioned in a bathroom. The tub has a classic design with four black, curved feet. On the left side, there is a vintage-style faucet and showerhead in a dark bronze or copper finish. The showerhead is handheld and connected to a flexible hose. The tub is set on a light-colored, polished tile floor. In the background, there are orange curtains tied back with a white rope, and a framed picture on the wall. To the right, a small wooden stool with a white seat and a folded orange towel is visible.

The BARCLAY Guarantee

We are proud of the brands and products we sell, and we stand behind them 100%. We are committed to offering the right design elements, required performance specs, competitive pricing and unsurpassed customer service.



Barclay Products can trace its history back to 1933 when it was Sterline Showers Company. Its primary products were Converto showers that enabled consumers with claw foot tubs to take showers, as well as soaking baths. In 1974 the company was transformed into an innovative decorative bath supplier with elegant designer products from around the world joining their domestic portfolio. To reflect their new direction, Sterline Showers became Barclay Products Limited in 1982.

An International Focus on Bath Decor

Since the 1980s, the Barclay management team has focused on securing quality products and concepts from around the world that fit into the lifestyles of North American consumers. The list of countries the team has visited in search of uniquely styled bath products reads like the index to a world atlas – including Argentina, Brazil, Canada, Chile, China, Denmark, Dubai, Ecuador, Germany, India, Italy, Korea, Mexico, Portugal, Taiwan, Thailand, Turkey, United Kingdom, and of course, the United States.

Today, Barclay's modern 100,000 square-foot warehouse stocks more than 500 different styles of bathtubs, unique sinks (including wall-hung, pedestal, corner, farm-style, designer kitchen, etc.), pivoting drains, faucets, high-tank toilets, and our original product, Converto showers!

Table of Contents



Acrylic Tub Kits..... 4-27



Cast Iron Tub Kits..... 28-63



Brushed Nickel



Polished Chrome



Oil Rubbed Bronze

Index by Part Number 64-67
Tub Freight Program 68
Terms and Conditions 69
Warranty 69

Barclay's freestanding tub collection continues to impress as we add more styles and options. The proven classics whose popularity endures fill our Tub Kit collection where they are paired with equally classic fillers, supplies and waste/overflows to create complete tub kit ensembles.

Personalize your ensemble when you choose a vibrant color from the Sherwin Williams palette of Protective Marine Coatings for your tub. Black and bisque are also available options.

Barclay will paint the outside of any cast iron, resin or acrylic tub "to order" from the color choices listed below. These tubs are "special order" and non-returnable.



Icarus in Walnut Brown

Extra Paint Charge (inside of tub is always white):

Bisque Paint	\$160
Black Paint	\$160
Designer Color	\$250

View the Sherwin Williams Protective Marine Palette at:

<http://protective.sherwin-williams.com/color/protective-tools/>



Acrylic Tub Kits

Andover 60" Acrylic Roll Top Tub Kits in Bisque

- Inside finish is bisque to match outside
- 3/8" Centers in tub wall
- Continuous rolled rim
- Ball and Claw feet are cast aluminum
- Exterior is painted over textured fiberglass

L 60"

W 30"

H 24½" (from floor to top of tub)

17¾" (from bottom of tub to top of tub)

Gallon capacity: 40 • Shipping weight: 110 lbs.

Empty weight: 62 lbs. • Filled weight: 396 lbs.

FINISH	KIT MODEL NO.	FILLER	LIST
SN	TKATR60-BBN1	4122-SN	\$2,295
SN	TKATR60-BBN2	4144-48-BN	\$2,869
SN	TKATR60-BBN3	4050-MC-SN	\$1,942
SN	TKATR60-BBN4	4052-PL-SN	\$2,026
CP	TKATR60-BCP1	4122-CP	\$2,195
CP	TKATR60-BCP2	4144-48-CP	\$2,393
CP	TKATR60-BCP3	4190-54-CP	\$1,970
CP	TKATR60-BCP4	4191-54-CP	\$2,083
CP	TKATR60-BCP5	4192-54-CP	\$1,997
CP	TKATR60-BCP6	4198-54-CP	\$2,026
CP	TKATR60-BCP7	4050-MC-CP	\$1,885
CP	TKATR60-BCP8	4051-PL-CP	\$2,054
CP	TKATR60-BCP9	4052-PL-CP	\$1,942
CP	TKATR60-BCP10	4035-ML-CP	\$1,968
ORB	TKATR60-BORB1	4022-PL-ORB	\$2,388
ORB	TKATR60-BORB2	4025-PL-ORB	\$2,551

Each Tub Kit includes:

ATR60 Acrylic Roll Top Tub in bisque with feet and accessories in the same finish as chosen filler

One of the Tub Fillers listed to the left
Tub fillers are pictured to the right

5576 Double Offset Bath Supplies



H 24"
½" OD

5599 Tub Waste and Overflow



Height adjustable to 15" - 18"
Depth adjustable to 12" - 14"

To substitute White feet order part #ALWH, Black feet order part #ALBL, Bisque feet order part #ALBQ

CP Polished Chrome **ORB** Oil Rubbed Bronze **SN** Brushed Nickel

Acrylic Tub Kits



4022-PL-ORB



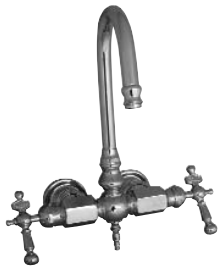
4025-PL-ORB



4122 (CP,SN)



4144 (CP,SN)



4035-ML-CP



4050-MC (CP,SN)



4190-54-CP



4191-54-CP



4051-PL-CP



4052-PL (CP,SN)



4192-54-CP



4198-54-CP



TKATR60-BORB2

Acrylic Tub Kits

Andover 60" Acrylic Roll Top Tub in White

- Inside finish is white to match outside
- 3/8" Centers in tub wall
- Continuous rolled rim
- Ball and Claw feet are cast aluminum
- Exterior is painted over textured fiberglass

L 60"

W 30"

H 24½" (from floor to top of tub)

17¼" (from bottom of tub to top of tub)

Gallon capacity: 40 • Shipping weight: 110 lbs.

Empty weight: 62 lbs. • Filled weight: 396 lbs.

FINISH	KIT MODEL NO.	FILLER	LIST
SN	TKATR60-WBN1	4122-SN	\$2,230
SN	TKATR60-WBN2	4144-48-BN	\$2,805
SN	TKATR60-WBN3	4050-MC-SN	\$1,885
SN	TKATR60-WBN4	4052-PL-SN	\$1,970
CP	TKATR60-WCP1	4122-CP	\$2,138
CP	TKATR60-WCP2	4144-48-CP	\$2,335
CP	TKATR60-WCP3	4190-54-CP	\$1,914
CP	TKATR60-WCP4	4191-54-CP	\$2,065
CP	TKATR60-WCP5	4192-54-CP	\$1,914
CP	TKATR60-WCP6	4198-54-CP	\$1,942
CP	TKATR60-WCP7	4050-MC-CP	\$1,773
CP	TKATR60-WCP8	4051-PL-CP	\$1,997
CP	TKATR60-WCP9	4052-PL-CP	\$1,858
CP	TKATR60-WCP10	4035-ML-CP	\$1,942
ORB	TKATR60-WORB1	4022-PL-ORB	\$2,323
ORB	TKATR60-WORB2	4025-PL-ORB	\$2,486

Each Tub Kit includes:

ATR60 Acrylic Roll Top Tub in white with feet and accessories in the same finish as chosen filler

One of the Tub Fillers listed to the left
Tub fillers are pictured to the right

5576 Double Offset Bath Supplies



H 24"

½" OD

5599 Tub Waste and Overflow



Height adjustable to 15" - 18"

Depth adjustable to 12" - 14"

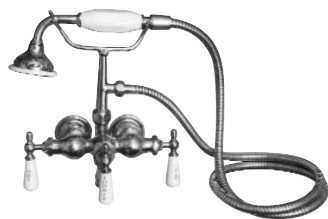
To substitute White feet order part #ALWH, Black feet order part #ALBL, Bisque feet order part #ALBQ

CP Polished Chrome **ORB** Oil Rubbed Bronze **SN** Brushed Nickel

Acrylic Tub Kits



4022-PL-ORB



4025-PL-CP



4035-ML-CP



4122
(CP, SN)



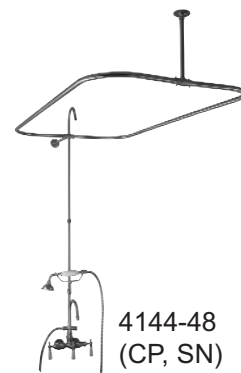
4050-MC
(CP, SN)



4051-PL-CP



4052-PL
(CP, SN)



4144-48
(CP, SN)



TKATR60-WCP1



4190-54
(CP, ORB,, SN)



4191-54
(CP, ORB, SN)



4192-54
(CP, ORB, SN)



4198-54
(CP, ORB, SN)

Acrylic Tub Kits

Anthea 60" Acrylic Roll Top Tub in Bisque

- Inside finish is bisque to match outside
- 3/8" Centers in tub wall
- Continuous rolled rim
- Ball and Claw feet are cast aluminum
- Exterior is smooth acrylic

L 60"
 W 30"
 H 24½" (from floor to top of tub)
 18" (from bottom of tub to top of tub)

Gallon capacity: 40 • Shipping weight: 110 lbs.

Empty weight: 62 lbs. • Filled weight: 396 lbs.

FINISH	KIT MODEL NO.	FILLER	LIST
SN	TKADTR60-BBN1	4122-SN	\$2,711
SN	TKADTR60-BBN2	4144-48-BN	\$3,286
SN	TKADTR60-BBN3	4050-MC-SN	\$2,284
SN	TKADTR60-BBN4	4052-PL-SN	\$2,415
CP	TKADTR60-BCP1	4122-CP	\$2,561
CP	TKADTR60-BCP2	4144-48-CP	\$2,774
CP	TKADTR60-BCP3	4190-54-CP	\$2,307
CP	TKADTR60-BCP4	4191-54-CP	\$2,419
CP	TKADTR60-BCP5	4192-54-CP	\$2,335
CP	TKADTR60-BCP6	4198-54-CP	\$2,393
CP	TKADTR60-BCP7	4050-MC-CP	\$2,229
CP	TKADTR60-BCP8	4051-PL-CP	\$2,419
CP	TKADTR60-BCP9	4052-PL-CP	\$2,309
CP	TKADTR60-BCP10	4035-ML-CP	\$2,384
ORB	TKADTR60-BORB1	4022-PL-ORB	\$2,803
ORB	TKADTR60-BORB2	4025-PL-ORB	\$2,967

Each Tub Kit includes:

ADTR60 Acrylic Roll Top Tub in bisque with feet and accessories in the same finish as chosen filler

One of the Tub Fillers listed to the left
 Tub fillers are pictured to the right

5576 Double Offset Bath Supplies



5599 Tub Waste and Overflow



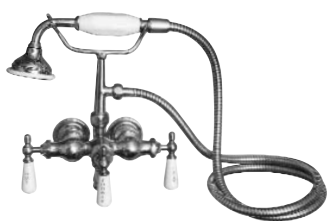
To substitute White feet order part #ALWH, Black feet order part #ALBL, Bisque feet order part #ALBQ

CP Polished Chrome **ORB** Oil Rubbed Bronze **SN** Brushed Nickel

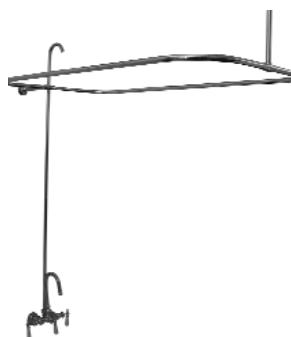
Acrylic Tub Kits



4022-PL-ORB



4025-PL-CP



4122 (CP, SN)



4144 (CP, SN)



4035-MPL-CP



4050-MC (CP, SN)



4190-54-CP



4191-54-CP



4051-PL-CP



4052-PL (CP, SN)



4192-54-CP



4198-54-CP



TKADTR60-BCP3

Acrylic Tub Kits

Anthea 60" Acrylic Roll Top Tub in White

- Inside finish is white to match outside
- 3/8" Centers in tub wall
- Continuous rolled rim
- Ball and Claw feet are cast aluminum
- Exterior is smooth acrylic

L 60"
 W 30"
 H 24½" (from floor to top of tub)
 18" (from bottom of tub to top of tub)

Gallon capacity: 40 • Shipping weight: 110 lbs.

Empty weight: 62 lbs. • Filled weight: 396 lbs.

FINISH	KIT MODEL NO.	FILLER	LIST
SN	TKADTR60-WBN1	4122-SN	\$2,582
SN	TKADTR60-WBN2	4144-48-BN	\$3,157
SN	TKADTR60-WBN3	4050-MC-SN	\$2,223
SN	TKADTR60-WBN4	4052-PL-SN	\$2,307
CP	TKADTR60-WCP1	4122-CP	\$2,476
CP	TKADTR60-WCP2	4144-48-CP	\$2,685
CP	TKADTR60-WCP3	4190-54-CP	\$2,252
CP	TKADTR60-WCP4	4191-54-CP	\$2,335
CP	TKADTR60-WCP5	4192-54-CP	\$2,252
CP	TKADTR60-WCP6	4198-54-CP	\$2,335
CP	TKADTR60-WCP7	4050-MC-CP	\$2,138
CP	TKADTR60-WCP8	4051-PL-CP	\$2,364
CP	TKADTR60-WCP9	4052-PL-CP	\$2,195
CP	TKADTR60-WCP10	4035-ML-CP	\$2,279
ORB	TKADTR60-WORB1	4022-PL-ORB	\$2,673
ORB	TKADTR60-WORB2	4025-PL-ORB	\$2,839

Each Tub Kit includes:

ADTR60 Acrylic Roll Top Tub in white with feet and accessories in the same finish as chosen filler

One of the Tub Fillers listed to the left
 Tub fillers are pictured to the right

5576 Double Offset Bath Supplies



5599 Tub Waste and Overflow



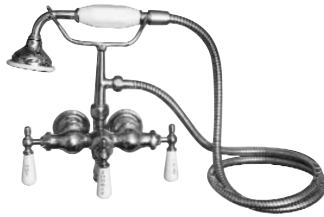
To substitute White feet order part #ALWH, Black feet order part #ALBL, Bisque feet order part #ALBQ

CP Polished Chrome **ORB** Oil Rubbed Bronze **SN** Brushed Nickel

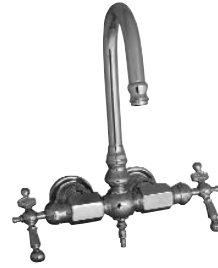
Acrylic Tub Kits



4022-PL-ORB



4025-PL-CP



4035-ML-CP



4144
(CP, SN)



4050-MC
(CP, SN)



4051-PL (CP)



4052-PL
(CP, SN)



4190-54-CP



4122
(CP, SN)



4192-54-CP



4191-54-CP



TKADTR60-WORB2



4198-54-CP

Acrylic Tub Kits

Atlin 67" Acrylic Roll Top Tub in White

- Inside finish is white to match outside
- 3/8" Centers in tub wall
- Continuous rolled rim
- Ball and Claw feet are cast aluminum
- Exterior is painted over textured fiberglass

L 67"
 W 29½"
 H 24½" (from floor to top of tub)
 18" (from bottom of tub to top of tub)

Gallon capacity: 50 • Shipping weight: 150 lbs.

Empty weight: 100 lbs. • Filled weight: 518 lbs.

FINISH	KIT MODEL NO.	FILLER	LIST
SN	TKATR67-WBN1	4122-SN	\$2,528
SN	TKATR67-WBN2	4144-48-BN	\$2,898
SN	TKATR67-WBN3	4050-MC-SN	\$1,992
SN	TKATR67-WBN4	4052-PL-SN	\$2,075
CP	TKATR67-WCP1	4122-CP	\$2,261
CP	TKATR67-WCP2	4144-48-CP	\$2,447
CP	TKATR67-WCP3	4190-54-CP	\$2,034
CP	TKATR67-WCP4	4191-54-CP	\$2,194
CP	TKATR67-WCP5	4192-54-CP	\$2,036
CP	TKATR67-WCP6	4198-54-CP	\$2,057
CP	TKATR67-WCP7	4050-MC-CP	\$1,901
CP	TKATR67-WCP8	4051-PL-CP	\$2,135
CP	TKATR67-WCP9	4052-PL-CP	\$1,984
CP	TKATR67-WCP10	4035-ML-CP	\$2,062
ORB	TKATR67-WORB1	4022-PL-ORB	\$2,414
ORB	TKATR67-WORB2	4025-PL-ORB	\$2,589

Each Tub Kit includes:

ATR67 Acrylic Roll Top Tub in white with feet and accessories in the same finish as chosen filler

One of the Tub Fillers listed to the left
 Tub fillers are pictured to the right

5576 Double Offset Bath Supplies



H 24"
 ½" OD

5599 Tub Waste and Overflow



Height adjustable to 15" - 18"
 Depth adjustable to 12" - 14"

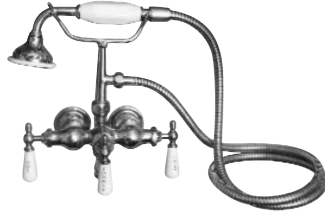
To substitute White feet order part #ALWH, Black feet order part #ALBL, Bisque feet order part #ALBQ

CP Polished Chrome **ORB** Oil Rubbed Bronze **SN** Brushed Nickel

Acrylic Tub Kits



4022-PL-ORB



4025-PL-CP



4035-ML-CP



4144
(CP, SN)



4050-MC
(CP, SN)



4051-PL-CP



4052-PL
(CP, SN)



4190-54-CP



4122
(CP, SN)



4192-54-CP



4191-54-CP



TKATR67-WCP8



4198-54-CP

Acrylic Tub Kits

Asia 67" Acrylic Roll Top Tub in White

- Inside finish is white to match outside
- 3/8" Centers in tub wall
- Continuous rolled rim
- Ball and Claw feet are cast aluminum
- Exterior is smooth acrylic

L 67"
 W 29"
 H 25½" (from floor to top of tub)
 18" (from bottom of tub to top of tub)

Gallon capacity: 50 • Shipping weight: 150 lbs.
 Empty weight: 100 lbs. • Filled weight: 518 lbs.

FINISH	KIT MODEL NO.	FILLER	LIST
SN	TKADTR67-WBN1	4122-SN	\$2,943
SN	TKADTR67-WBN2	4144-48-BN	\$3,291
SN	TKADTR67-WBN3	4050-MC-SN	\$2,374
SN	TKADTR67-WBN4	4052-PL-SN	\$2,456
CP	TKADTR67-WCP1	4122-CP	\$2,623
CP	TKADTR67-WCP2	4144-48-CP	\$2,820
CP	TKADTR67-WCP3	4190-54-CP	\$2,399
CP	TKADTR67-WCP4	4191-54-CP	\$2,485
CP	TKADTR67-WCP5	4192-54-CP	\$2,400
CP	TKADTR67-WCP6	4198-54-CP	\$2,480
CP	TKADTR67-WCP7	4050-MC-CP	\$2,297
CP	TKADTR67-WCP8	4051-PL-CP	\$2,531
CP	TKADTR67-WCP9	4052-PL-CP	\$2,349
CP	TKADTR67-WCP10	4035-ML-CP	\$2,427
ORB	TKADTR67-WORB1	4022-PL-ORB	\$2,807
ORB	TKADTR67-WORB2	4025-PL-ORB	\$2,984

Each Tub Kit includes:

ADTR67 Acrylic Roll Top Tub in white with feet and accessories in the same finish as chosen filler

One of the Tub Fillers listed to the left Tub fillers are pictured to the right

5576 Double Offset Bath Supplies



H 24"
 ½" OD

5599 Tub Waste and Overflow



Height adjustable to 15" - 18"
 Depth adjustable to 12" - 14"

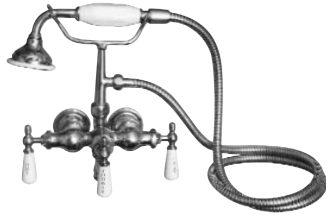
To substitute White feet order part #ALWH, Black feet order part #ALBL, Bisque feet order part #ALBQ

CP Polished Chrome **ORB** Oil Rubbed Bronze **SN** Brushed Nickel

Acrylic Tub Kits



4022-PL-ORB



4025-PL-CP



4035-ML-CP



4050-MC
(CP, SN)



4051-PL-CP



4052-PL
(CP, SN)



4122
(CP, SN)



4144-48
(CP, SN)



TKADTR67-WCP2



4190-54-CP



4191-54-CP



4192-54-CP



4198-54-CP

Acrylic Tub Kits

Estelle 60" Acrylic Slipper Tub in Bisque

- Inside finish is bisque to match outside
- No faucet holes
- Flat rim
- Ball and Claw feet are cast aluminum
- Exterior is painted over textured fiberglass

Gallon capacity: 33 • Shipping weight: 120 lbs.

Empty weight: 62 lbs. • Filled weight: 338 lbs.

L 60"

W 30"

H 21" (from floor) short end

31" (from floor) tall end

12" (from bottom of tub) short end

22" (from bottom of tub) tall end

FINISH	KIT MODEL NO.	FILLER	ROD	LIST
SN	TKATS60-BBN1	4602-PL-SN		\$2,732
SN	TKATS60-BBN2	4602-MC-SN		\$2,708
SN	TKATS60-BBN3	4063-PL-BN		\$4,105
SN	TKATS60-BBN4	4063-MC-BN		\$4,082
SN	TKATS60-BBN5	4602-PL-SN	4145-54-SN	\$3,104
SN	TKATS60-BBN6	4602-MC-SN	4145-54-SN	\$3,082
CP	TKATS60-BCP1	4602-PL-CP		\$2,486
CP	TKATS60-BCP2	4602-MC-CP		\$2,470
CP	TKATS60-BCP3	4063-PL-CP		\$3,011
CP	TKATS60-BCP4	4063-MC-CP		\$3,067
CP	TKATS60-BCP5	4602-PL-CP	4145-54-CP	\$2,600
CP	TKATS60-BCP6	4602-MC-CP	4145-54-CP	\$2,580
ORB	TKATS60-BORB1	4602-PL-ORB		\$2,985
ORB	TKATS60-BORB2	4602-MC-ORB		\$2,976
ORB	TKATS60-BORB3	4063-PL-ORB		\$3,911
ORB	TKATS60-BORB4	4063-MC-ORB		\$3,911
ORB	TKATS60-BORB5	4602-PL-ORB	4145-54-ORB	\$3,439
ORB	TKATS60-BORB6	4602-MC-ORB	4145-54-ORB	\$3,429

Each Tub Kit includes:

ATS60 Acrylic Slipper Tub in bisque with feet and accessories in the same finish as chosen filler

One of the Tub Fillers listed to the left

Tub fillers are pictured to the right

4502-PL Freestanding Bath Supplies



H 30"
½" OD

5599 Tub Waste and Overflow



Height adjustable to 15" - 18"
Depth adjustable to 12" - 14"

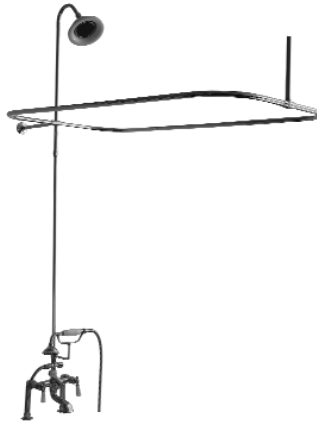
To substitute White feet order part #ALWH, Black feet order part #ALBL, Bisque feet order part #ALBQ

CP Polished Chrome **ORB** Oil Rubbed Bronze **SN** Brushed Nickel

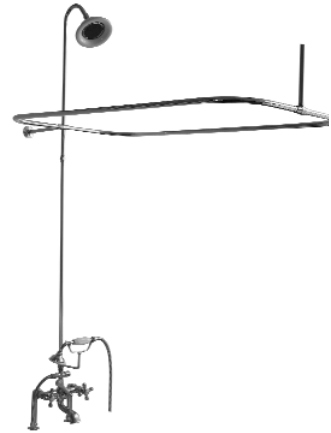
Acrylic Tub Kits



4602-PL (CP, ORB, SN)



4063-PL
(CP, ORB, SN)



4063-MC
(CP, ORB, SN)



4602-MC (CP, ORB, SN)



4145 (CP, ORB, SN)



TKATS60-BBN4

Acrylic Tub Kits

Estelle 60" Acrylic Slipper Tub in White

- Inside finish is white to match outside
- No faucet holes
- Flat rim
- Ball and Claw feet are cast aluminum
- Exterior is painted over textured fiberglass

Gallon capacity: 33 • Shipping weight: 120 lbs.

Empty weight: 62 lbs. • Filled weight: 338 lbs.

- L 60"
- W 30"
- H 21" (from floor) short end
- 31" (from floor) tall end
- 12" (from bottom of tub) short end
- 22" (from bottom of tub) tall end

FINISH	KIT MODEL NO.	FILLER	ROD	LIST
SN	TKATS60-WBN1	4602-PL-SN		\$2,667
SN	TKATS60-WBN2	4602-MC-SN		\$2,644
SN	TKATS60-WBN3	4063-PL-BN		\$4,041
SN	TKATS60-WBN4	4063-MC-BN		\$4,016
SN	TKATS60-WBN5	4602-PL-SN	4145-54-SN	\$3,123
SN	TKATS60-WBN6	4602-MC-SN	4145-54-SN	\$3,123
CP	TKATS60-WCP1	4602-PL-CP		\$2,447
CP	TKATS60-WCP2	4602-MC-CP		\$2,447
CP	TKATS60-WCP3	4063-PL-CP		\$2,983
CP	TKATS60-WCP4	4063-MC-CP		\$3,039
CP	TKATS60-WCP5	4602-PL-CP	4145-54-CP	\$2,588
CP	TKATS60-WCP6	4602-MC-CP	4145-54-CP	\$2,588
ORB	TKATS60-WORB1	4602-PL-ORB		\$3,069
ORB	TKATS60-WORB2	4602-MC-ORB		\$3,061
ORB	TKATS60-WORB3	4063-PL-ORB		\$3,884
ORB	TKATS60-WORB4	4063-MC-ORB		\$3,884
ORB	TKATS60-WORB5	4602-PL-ORB	4145-54-ORB	\$3,524
ORB	TKATS60-WORB6	4602-MC-ORB	4145-54-ORB	\$3,515

Each Tub Kit includes:

ATS60 Acrylic Slipper Tub in white with feet and accessories in the same finish as chosen filler

One of the Tub Fillers listed to the left

Tub fillers are pictured to the right

4502-PL Freestanding Bath Supplies



H 30"
1/2" OD

5599 Tub Waste and Overflow



Height adjustable to 15" - 18"
Depth adjustable to 12" - 14"

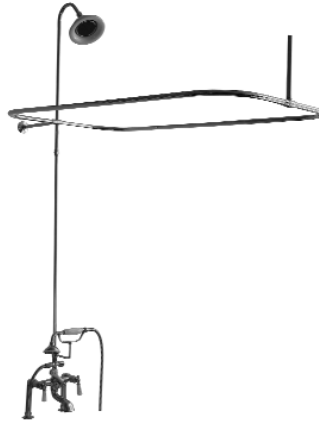
To substitute White feet order part #ALWH, Black feet order part #ALBL, Bisque feet order part #ALBQ

CP Polished Chrome **ORB** Oil Rubbed Bronze **SN** Brushed Nickel

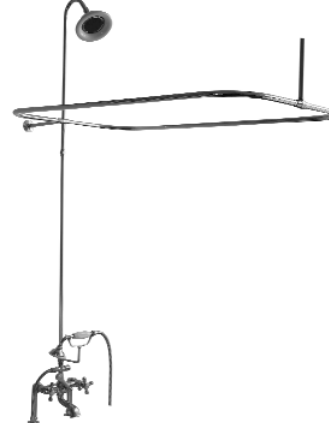
Acrylic Tub Kits



4602-PL
(CP, ORB, SN)



4063-PL
(CP, ORB, SN)



4063-MC
(CP, ORB, SN)



4602-MC
(CP, ORB, SN)



4145 (CP, ORB, SN)



TKATS60-WCP3

Acrylic Tub Kits

Fillmore 60" Acrylic Slipper Tub in Bisque

- Inside finish is bisque to match outside
- No faucet holes
- Flat rim
- Ball and Claw feet are cast aluminum
- Exterior is smooth acrylic

Gallon capacity: 33 • Shipping weight: 120 lbs.

Empty weight: 62 lbs. • Filled weight: 338 lbs.

- L 60"
- W 30"
- H 22½" (from floor) short end
- 32" (from floor) tall end
- 16½" (from bottom of tub) short end
- 26" (from bottom of tub) tall end

FINISH	KIT MODEL NO.	FILLER	ROD	LIST
SN	TKADTS60-BBN1	4602-PL-SN		\$3,147
SN	TKADTS60-BBN2	4602-MC-SN		\$3,124
SN	TKADTS60-BBN3	4063-PL-BN		\$4,520
SN	TKADTS60-BBN4	4063-MC-BN		\$4,497
SN	TKADTS60-BBN5	4602-PL-SN	4145-54-SN	\$3,522
SN	TKADTS60-BBN6	4602-MC-SN	4145-54-SN	\$3,498
CP	TKADTS60-BCP1	4602-PL-CP		\$2,842
CP	TKADTS60-BCP2	4602-MC-CP		\$2,814
CP	TKADTS60-BCP3	4063-PL-CP		\$3,376
CP	TKADTS60-BCP4	4063-MC-CP		\$3,491
CP	TKADTS60-BCP5	4602-PL-CP	4145-54-CP	\$3,135
CP	TKADTS60-BCP6	4602-MC-CP	4145-54-CP	\$3,135
ORB	TKADTS60-BORB1	4602-PL-ORB		\$3,549
ORB	TKADTS60-BORB2	4602-MC-ORB		\$3,541
ORB	TKADTS60-BORB3	4063-PL-ORB		\$4,341
ORB	TKADTS60-BORB4	4063-MC-ORB		\$4,317
ORB	TKADTS60-BORB5	4602-PL-ORB	4145-54-ORB	\$4,004
ORB	TKADTS60-BORB6	4602-MC-ORB	4145-54-ORB	\$3,994

Each Tub Kit includes:

ADTS60 Acrylic Slipper Tub in bisque with feet and accessories in the same finish as chosen filler

One of the Tub Fillers listed to the left

Tub fillers are pictured to the right

4502-PL Freestanding Bath Supplies



H 30"
½" OD

5599 Tub Waste and Overflow



Height adjustable to 15" - 18"
Depth adjustable to 12" - 14"

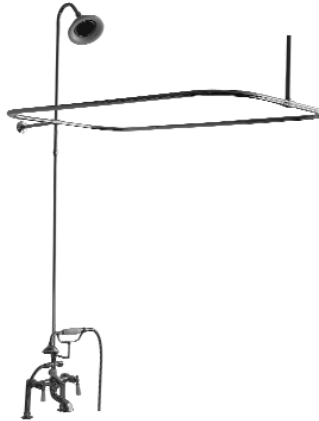
To substitute White feet order part #ALWH, Black feet order part #ALBL, Bisque feet order part #ALBQ

CP Polished Chrome **ORB** Oil Rubbed Bronze **SN** Brushed Nickel

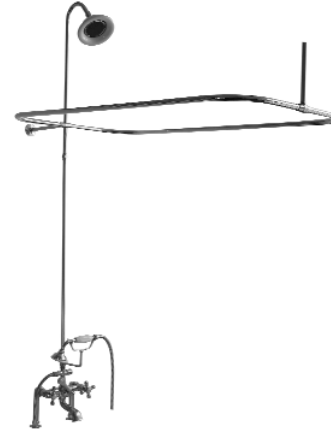
Acrylic Tub Kits



4602-PL (CP, ORB, SN)



4063-PL (CP, ORB, SN)



4063-MC (CP, ORB, SN)



4602-MC (CP, ORB, SN)



4145 (CP, ORB, SN)



TKADTS60-BCP6

Acrylic Tub Kits

Fillmore 60" Acrylic Slipper Tub in White

- Inside finish is white to match outside
- No faucet holes
- Flat rim
- Ball and Claw feet are cast aluminum
- Exterior is smooth acrylic

Gallon capacity: 33 • Shipping weight: 120 lbs.

Empty weight: 62 lbs. • Filled weight: 338 lbs.

L 60"
 W 30"
 H 22½" (from floor) short end
 32" (from floor) tall end
 16½" (from bottom of tub) short end
 26" (from bottom of tub) tall end

FINISH	KIT MODEL NO.	FILLER	ROD	LIST
SN	TKADTS60-WBN1	4602-PL-SN		\$2,983
SN	TKADTS60-WBN2	4602-MC-SN		\$2,983
SN	TKADTS60-WBN3	4063-PL-BN		\$4,109
SN	TKADTS60-WBN4	4063-MC-BN		\$4,273
SN	TKADTS60-WBN5	4602-PL-SN	4145-54-SN	\$3,563
SN	TKADTS60-WBN6	4602-MC-SN	4145-54-SN	\$3,384
CP	TKADTS60-WCP1	4602-PL-CP		\$2,785
CP	TKADTS60-WCP2	4602-MC-CP		\$2,785
CP	TKADTS60-WCP3	4063-PL-CP		\$3,376
CP	TKADTS60-WCP4	4063-MC-CP		\$3,404
CP	TKADTS60-WCP5	4602-PL-CP	4145-54-CP	\$2,955
CP	TKADTS60-WCP6	4602-MC-CP	4145-54-CP	\$2,955
ORB	TKADTS60-WORB1	4602-PL-ORB		\$3,421
ORB	TKADTS60-WORB2	4602-MC-ORB		\$3,413
ORB	TKADTS60-WORB3	4063-PL-ORB		\$4,249
ORB	TKADTS60-WORB4	4063-MC-ORB		\$4,249
ORB	TKADTS60-WORB5	4602-PL-ORB	4145-54-ORB	\$3,874
ORB	TKADTS60-WORB6	4602-MC-ORB	4145-54-ORB	\$3,865

Each Tub Kit includes:

ADTS60 Acrylic Slipper Tub in white with feet and accessories in the same finish as chosen filler

One of the Tub Fillers listed to the left

Tub fillers are pictured to the right

4502-PL Freestanding Bath Supplies



H 30"
 ½" OD

5599 Tub Waste and Overflow



Height adjustable to 15" - 18"
 Depth adjustable to 12" - 14"

To substitute White feet order part #ALWH, Black feet order part #ALBL, Bisque feet order part #ALBQ

CP Polished Chrome **ORB** Oil Rubbed Bronze **SN** Brushed Nickel

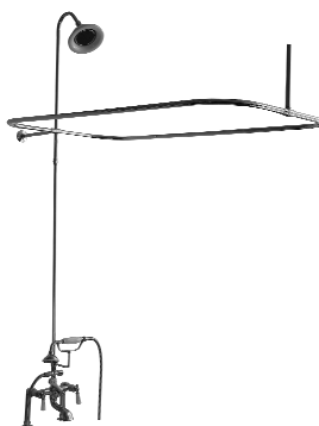
Acrylic Tub Kits



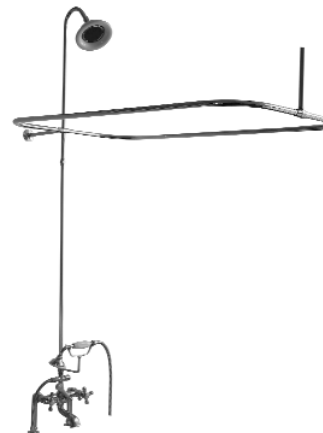
4602-PL
(CP, ORB, SN)



4602-MC
(CP, ORB, SN)



4063-PL (CP, ORB, SN)



4063-MC (CP, ORB, SN)



4145 (CP, ORB, SN)



TKADTS60-WCP1

Acrylic Tub Kits

Imogene 67" Acrylic Slipper Tub in White

- Inside finish is white to match outside
- No faucet holes
- Ball and Claw feet are cast aluminum
- Flat rim
- Exterior is painted over textured fiberglass

Gallon capacity: 50 • Shipping weight: 150 lbs.

Empty weight: 100 lbs. • Filled weight: 518 lbs.

L 67"
 W 29½"
 H 24" (from floor) short end
 30" (from floor) tall end
 18" (from bottom of tub) short end
 24" (from bottom of tub) tall end

FINISH	KIT MODEL NO.	FILLER	ROD	LIST
SN	TKATS67-WBN1	4602-PL-SN		\$2,765
SN	TKATS67-WBN2	4602-MC-SN		\$2,739
SN	TKATS67-WBN3	4063-PL-BN		\$4,141
SN	TKATS67-WBN4	4063-MC-BN		\$4,115
SN	TKATS67-WBN5	4602-PL-SN	4145-54-SN	\$2,961
SN	TKATS67-WBN6	4602-MC-SN	4145-54-SN	\$2,961
CP	TKATS67-WCP1	4602-PL-CP		\$2,563
CP	TKATS67-WCP2	4602-MC-CP		\$2,563
CP	TKATS67-WCP3	4063-PL-CP		\$3,096
CP	TKATS67-WCP4	4063-MC-CP		\$3,154
CP	TKATS67-WCP5	4602-PL-CP	4145-54-CP	\$2,598
CP	TKATS67-WCP6	4602-MC-CP	4145-54-CP	\$2,598
ORB	TKATS67-WORB1	4602-PL-ORB		\$3,158
ORB	TKATS67-WORB2	4602-MC-ORB		\$3,148
ORB	TKATS67-WORB3	4063-PL-ORB		\$3,958
ORB	TKATS67-WORB4	4063-MC-ORB		\$3,958
ORB	TKATS67-WORB5	4602-PL-ORB	4145-54-ORB	\$3,277
ORB	TKATS67-WORB6	4602-MC-ORB	4145-54-ORB	\$3,269

Each Tub Kit includes:

ATS67 Acrylic Slipper Tub in white with feet and accessories in the same finish as chosen filler

One of the Tub Fillers listed to the left

Tub fillers are pictured to the right

4502-PL Freestanding Bath Supplies



H 30"
 ½" OD

5599 Tub Waste and Overflow



Height adjustable to 15" - 18"
 Depth adjustable to 12" - 14"

To substitute White feet order part #ALWH, Black feet order part #ALBL, Bisque feet order part #ALBQ

CP Polished Chrome **ORB** Oil Rubbed Bronze **SN** Brushed Nickel

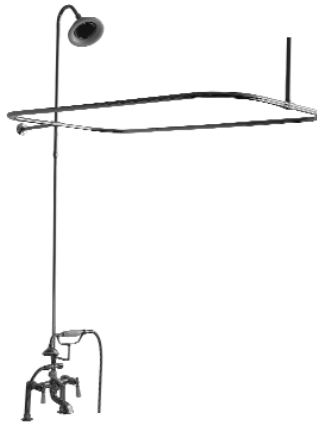
Acrylic Tub Kits



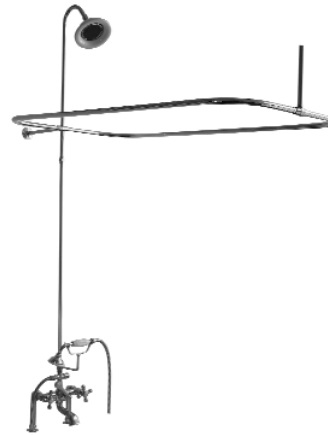
4602-PL
(CP, ORB, SN)



4602-MC
(CP, ORB, SN)



4063-PL (CP, ORB, SN)



4063-MC
(CP, ORB, SN)



4145 (CP, ORB, SN)



TKATS67-WCP2

Acrylic Tub Kits

Isadora 67" Acrylic Slipper Tub in White

- Inside finish is white to match outside
- No faucet holes
- Ball and Claw feet are cast aluminum
- Flat rim
- Exterior is smooth acrylic

Gallon capacity: 50 • Shipping weight: 150 lbs.

Empty weight: 100 lbs. • Filled weight: 518 lbs.

L 67"
 W 29½"
 H 24" (from floor) short end
 30" (from floor) tall end
 18" (from bottom of tub) short end
 24" (from bottom of tub) tall end

FINISH	KIT MODEL NO.	FILLER	ROD	LIST
SN	TKADTS67-WBN1	4602-PL-SN		\$3,121
SN	TKADTS67-WBN2	4602-MC-SN		\$3,121
SN	TKADTS67-WBN3	4063-PL-BN		\$4,246
SN	TKADTS67-WBN4	4063-MC-BN		\$4,416
SN	TKADTS67-WBN5	4602-PL-SN	4145-54-SN	\$3,423
SN	TKADTS67-WBN6	4602-MC-SN	4145-54-SN	\$3,250
CP	TKADTS67-WCP1	4602-PL-CP		\$2,924
CP	TKADTS67-WCP2	4602-MC-CP		\$2,924
CP	TKADTS67-WCP3	4063-PL-CP		\$3,513
CP	TKADTS67-WCP4	4063-MC-CP		\$3,542
CP	TKADTS67-WCP5	4602-PL-CP	4145-54-CP	\$2,979
CP	TKADTS67-WCP6	4602-MC-CP	4145-54-CP	\$2,979
ORB	TKADTS67-WORB1	4602-PL-ORB		\$3,549
ORB	TKADTS67-WORB2	4602-MC-ORB		\$3,541
ORB	TKADTS67-WORB3	4063-PL-ORB		\$4,364
ORB	TKADTS67-WORB4	4063-MC-ORB		\$4,364
ORB	TKADTS67-WORB5	4602-PL-ORB	4145-54-ORB	\$3,648
ORB	TKADTS67-WORB6	4602-MC-ORB	4145-54-ORB	\$3,641

Each Tub Kit includes:

ADTS67 Acrylic Slipper Tub in white with feet and accessories in the same finish as chosen filler

One of the Tub Fillers listed to the left

Tub fillers are pictured to the right

4502-PL Freestanding Bath Supplies



5599 Tub Waste and Overflow



Height adjustable to 15" - 18"
 Depth adjustable to 12" - 14"

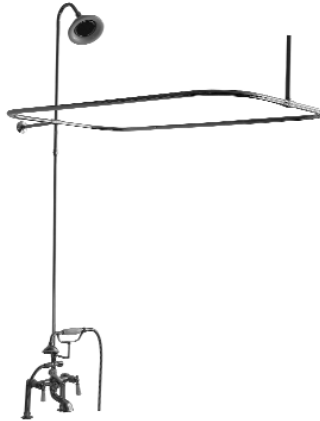
To substitute White feet order part #ALWH, Black feet order part #ALBL, Bisque feet order part #ALBQ

CP Polished Chrome **ORB** Oil Rubbed Bronze **SN** Brushed Nickel

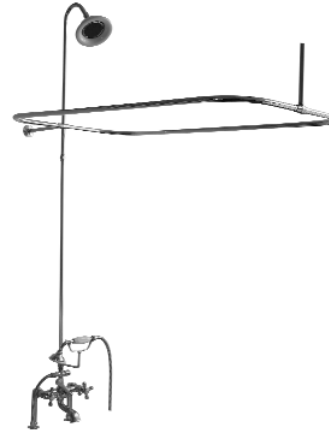
Acrylic Tub Kits



4602-PL
(CP, ORB, SN)



4063-PL (CP, ORB, SN)



4063-MC
(CP, ORB, SN)



4602-MC
(CP, ORB, SN)



4145 (CP, ORB, SN)



TKADTS67-WCP6

Cast Iron Tub Kits

Antonio 55" Cast Iron Roll Top Tub in White

- Inside finish is white to match outside
 - Non-skid strips
 - Ball and Claw feet are cast iron
 - Continuous rolled rim
 - 3/8" centers in tub wall
 - L 54"
 - W 30 7/8"
 - H 24" (from floor to top of tub)
 - 19 1/4" (from bottom of tub to top of tub)
- Gallon capacity: 36 • Shipping weight: 475 lbs.
 Empty weight: 247 lbs. • Filled weight: 547 lbs.

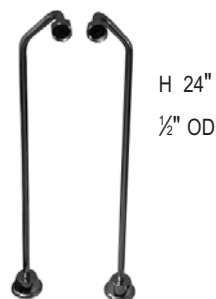
FINISH	KIT MODEL NO.	FILLER	LIST
CP	TKCTRH54-CP1	4124-CP	\$2,948
CP	TKCTRH54-CP2	4143-48-CP	\$3,282
CP	TKCTRH54-CP3	4190-54-CP	\$2,771
CP	TKCTRH54-CP4	4191-54-CP	\$2,790
CP	TKCTRH54-CP5	4192-54-CP	\$2,751
CP	TKCTRH54-CP6	4198-54-CP	\$2,872
CP	TKCTRH54-CP7	4050-MC-CP	\$2,531
CP	TKCTRH54-CP8	4051-PL-CP	\$2,624
CP	TKCTRH54-CP9	4052-PL-CP	\$2,624
CP	TKCTRH54-CP10	4035-ML-CP	\$2,802
ORB	TKCTRH54-ORB1	4022-PL-ORB	\$3,611
ORB	TKCTRH54-ORB2	4025-PL-ORB	\$3,611
SN	TKCTRH54-SN1	4143-48-SN	\$3,644
SN	TKCTRH54-SN2	4050-MC-SN	\$2,682
SN	TKCTRH54-SN3	4052-PL-SN	\$2,787

Each Tub Kit includes:

CTRH54 Cast Iron Roll Top Tub in white with feet and accessories in the same finish as chosen filler

One of the Tub Fillers listed to the left
 Tub fillers are pictured to the right

5576 Double Offset Bath Supplies



H 24"
 1/2" OD

5599 Tub Waste and Overflow



Height adjustable to 15" - 18"
 Depth adjustable to 12" - 14"

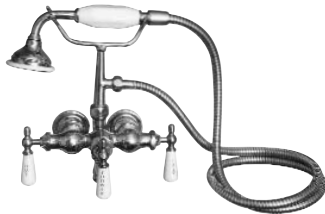
To substitute White feet order part #CIWH, Black feet order part #CIBL, Bisque feet order part #CIBQ

CP Polished Chrome **ORB** Oil Rubbed Bronze **SN** Brushed Nickel

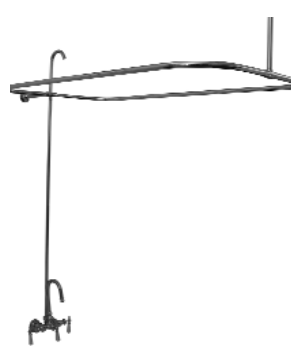
Cast Iron Tub Kits



4022-PL-ORB



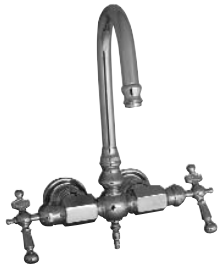
4025-PL-CP



4124-CP



4143 (CP,SN)



4035-ML-CP



4050-MC (CP,SN)



4190-54-CP



4191-54-CP



4051-PL-CP



4052-PL (CP,SN)



4192-54-CP



4198-54-CP



TKCTRH54-CP8

Cast Iron Tub Kits

Antonio 55" Cast Iron Roll Top Tub in White

- Inside finish is white to match outside
- Non-skid strips
- Ball and Claw feet are cast iron
- Continuous rolled rim
- No faucet holes

L 54"
 W 30 1/8"
 H 24" (from floor to top of tub)
 19 1/4" (from bottom of tub to top of tub)

Gallon capacity: 36 • Shipping weight: 475 lbs.

Empty weight: 247 lbs. • Filled weight: 547 lbs.

FINISH	KIT MODEL NO.	FILLER	ROD	LIST
CP	TKCTRN54-CP1	4602-PL-CP		\$3,310
CP	TKCTRN54-CP2	4602-MC-CP		\$3,310
CP	TKCTRN54-CP3	4602-PL-CP	4150-48-CP	\$3,510
CP	TKCTRN54-CP4	4602-MC-CP	4150-48-CP	\$3,510
CP	TKCTRN54-CP5	4602-PL-CP	4145-48-CP	\$3,446
CP	TKCTRN54-CP6	4602-MC-CP	4145-48-CP	\$3,446
ORB	TKCTRN54-ORB1	4602-PL-ORB		\$4,218
ORB	TKCTRN54-ORB2	4602-MC-ORB		\$4,218
ORB	TKCTRN54-ORB3	4602-PL-ORB	4150-48-ORB	\$4,635
ORB	TKCTRN54-ORB4	4602-MC-ORB	4150-48-ORB	\$4,635
ORB	TKCTRN54-ORB5	4602-PL-ORB	4145-54-ORB	\$4,615
ORB	TKCTRN54-ORB6	4602-MC-ORB	4145-54-ORB	\$4,615
SN	TKCTRN54-SN1	4602-PL-SN		\$3,469
SN	TKCTRN54-SN2	4602-MC-SN		\$3,469
SN	TKCTRN54-SN3	4602-PL-SN	4150-48-SN	\$3,821
SN	TKCTRN54-SN4	4602-MC-SN	4150-48-SN	\$3,821
SN	TKCTRN54-SN5	4602-PL-SN	4145-54-SN	\$3,779
SN	TKCTRN54-SN6	4602-MC-SN	4145-54-SN	\$3,779

Each Tub Kit includes:

CTRN54 Cast Iron Roll Top Tub in white with feet and accessories in the same finish as chosen filler

One of the Tub Fillers listed to the left

Tub fillers are pictured to the right

4502-PL Freestanding Bath Supplies



H 30"
 1/2" OD

5599 Tub Waste and Overflow



Height adjustable to 15" - 18"
 Depth adjustable to 12" - 14"

To substitute White feet order part #CIWH, Black feet order part #CIBL, Bisque feet order part #CIBQ

CP Polished Chrome **ORB** Oil Rubbed Bronze **SN** Brushed Nickel

Cast Iron Tub Kits



4602-PL
(CP, ORB, SN)



4145 (CP, ORB, SN)



4602-MC
(CP, ORB, SN)



4150 (CP, ORB, SN)



TKCTR54-CP5

Cast Iron Tub Kits

Bartlett 60" Cast Iron Roll Top Tub in White

- Inside finish is white to match outside
 - Non-skid strips
 - Ball and Claw feet are cast iron
 - Tap deck
 - 3/8" centers in tub wall
 - L 60"
 - W 30 1/2"
 - H 24" (from floor to top of tub)
 - 19 1/4" (from bottom of tub to top of tub)
- Gallon capacity: 40 • Shipping weight: 500 lbs.
 Empty weight: 287 lbs. • Filled weight: 621 lbs.

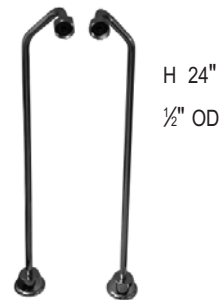
FINISH	KIT MODEL NO.	FILLER	LIST
CP	TKCTR60-CP1	4124-CP	\$3,152
CP	TKCTR60-CP2	4143-48-CP	\$3,152
CP	TKCTR60-CP3	4190-54-CP	\$2,983
CP	TKCTR60-CP4	4191-54-CP	\$2,983
CP	TKCTR60-CP5	4192-54-CP	\$2,926
CP	TKCTR60-CP6	4198-54-CP	\$3,039
CP	TKCTR60-CP7	4050-MC-CP	\$2,701
CP	TKCTR60-CP8	4051-PL-CP	\$2,814
CP	TKCTR60-CP9	4052-PL-CP	\$2,814
CP	TKCTR60-CP10	4035-ML-CP	\$3,039
ORB	TKCTR60-ORB1	4022-PL-ORB	\$3,884
ORB	TKCTR60-ORB2	4025-PL-ORB	\$3,884
SN	TKCTR60-SN1	4143-48-BN	\$3,884
SN	TKCTR60-SN2	4050-MC-SN	\$2,926
SN	TKCTR60-SN3	4052-PL-SN	\$3,011

Each Tub Kit includes:

CTR60 Cast Iron Roll Top Tub in white with feet and accessories in the same finish as chosen filler

One of the Tub Fillers listed to the left
 Tub fillers are pictured to the right

5576 Double Offset Bath Supplies



5599 Tub

Waste and Overflow



Height adjustable to 15" - 18"
 Depth adjustable to 12" - 14"

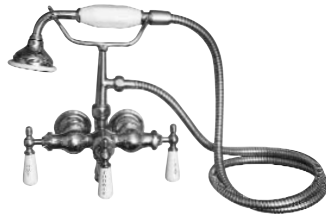
To substitute White feet order part #CIWH, Black feet order part #CIBL, Bisque feet order part #CIBQ

CP Polished Chrome **ORB** Oil Rubbed Bronze **SN** Brushed Nickel

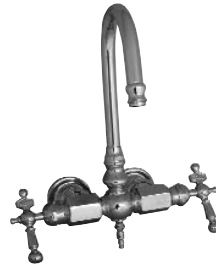
Cast Iron Tub Kits



4022-PL-ORB



4025-PL-CP



4035-ML-CP



4143 (CP,SN)



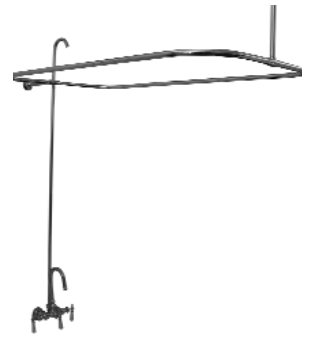
4050-MC (CP,SN)



4051-PL-CP



4052-PL (CP,SN)



4124-CP



4191-54-CP



4190-54-CP



4192-54-CP



TKCTR60-ORB3



4198-54-CP

Cast Iron Tub Kits

Bartlett 60" Cast Iron Roll Top Tub in White

- Inside finish is white to match outside
- Non-skid strips
- Ball and Claw feet are cast iron
- Tap deck
- No faucet holes

L 60"
 W 30½"
 H 24" (from floor to top of tub)
 19¼" (from bottom of tub to top of tub)

Gallon capacity: 40 • Shipping weight: 500 lbs.

Empty weight: 287 lbs. • Filled weight: 621 lbs.

FINISH	KIT MODEL NO.	FILLER	ROD	LIST
CP	TKCTR60-CP1	4602-PL-CP		\$3,477
CP	TKCTR60-CP2	4602-MC-CP		\$3,477
CP	TKCTR60-CP3	4602-PL-CP	4150-54-CP	\$3,717
CP	TKCTR60-CP4	4602-MC-CP	4150-54-CP	\$3,717
CP	TKCTR60-CP5	4602-PL-CP	4145-54-CP	\$3,612
CP	TKCTR60-CP6	4602-MC-CP	4145-54-CP	\$3,612
ORB	TKCTR60-ORB1	4602-PL-ORB		\$4,401
ORB	TKCTR60-ORB2	4602-MC-ORB		\$4,401
ORB	TKCTR60-ORB3	4602-PL-ORB	4150-48-ORB	\$4,817
ORB	TKCTR60-ORB4	4602-MC-ORB	4150-48-ORB	\$4,817
ORB	TKCTR60-ORB5	4602-PL-ORB	4145-54-ORB	\$4,798
ORB	TKCTR60-ORB6	4602-MC-ORB	4145-54-ORB	\$4,798
SN	TKCTR60-SN1	4602-PL-SN		\$3,642
SN	TKCTR60-SN2	4602-MC-SN		\$3,642
SN	TKCTR60-SN3	4602-PL-SN	4150-54-SN	\$4,036
SN	TKCTR60-SN4	4602-MC-SN	4150-54-SN	\$4,036
SN	TKCTR60-SN5	4602-PL-SN	4145-54-SN	\$3,950
SN	TKCTR60-SN6	4602-MC-SN	4145-54-SN	\$3,950

Each Tub Kit includes:

CTR60 Cast Iron Roll Top Tub in white with feet and accessories in the same finish as chosen filler

One of the Tub Fillers listed to the left

Tub fillers are pictured to the right

4502-PL Freestanding Bath Supplies



H 30"
 ½" OD

5599 Tub Waste and Overflow



Height adjustable to 15" - 18"
 Depth adjustable to 12" - 14"

To substitute White feet order part #CIWH, Black feet order part #CIBL, Bisque feet order part #CIBQ

CP Polished Chrome **ORB** Oil Rubbed Bronze **SN** Brushed Nickel

Cast Iron Tub Kits



4602-PL
(CP, ORB, SN)



4145 (CP, ORB, SN)



4602-MC
(CP, ORB, SN)



4150 (CP, ORB, SN)



TKCTR60-CP4

Cast Iron Tub Kits

Beecher 60" Cast Iron Roll Top Tub in White

- Inside finish is white to match outside
- Non-skid strips
- Ball and Claw feet are cast iron
- Tap deck
- 7" holes in deck

L 60"
 W 30½"
 H 23¼" (from floor to top of tub)
 18½" (from bottom of tub to top of tub)

Gallon capacity: 40 • Shipping weight: 500 lbs.

Empty weight: 287 lbs. • Filled weight: 621 lbs.

FINISH	KIT MODEL NO.	FILLER	ROD	LIST
CP	TKCTR7H60-CP1	4601-PL-CP		\$3,264
CP	TKCTR7H60-CP2	4601-MC-CP		\$3,264
CP	TKCTR7H60-CP3	4063-PL-CP		\$3,602
CP	TKCTR7H60-CP4	4063-MC-CP		\$3,602
CP	TKCTR7H60-CP5	4601-PL-CP	4145-54-CP	\$3,376
CP	TKCTR7H60-CP6	4601-MC-CP	4145-54-CP	\$3,376
ORB	TKCTR7H60-ORB1	4601-PL-ORB		\$4,114
ORB	TKCTR7H60-ORB2	4601-MC-ORB		\$4,114
ORB	TKCTR7H60-ORB3	4063-PL-ORB		\$4,797
ORB	TKCTR7H60-ORB4	4063-MC-ORB		\$4,797
ORB	TKCTR7H60-ORB5	4601-PL-ORB	4145-54-ORB	\$4,510
ORB	TKCTR7H60-ORB6	4601-MC-ORB	4145-54-ORB	\$4,510
SN	TKCTR7H60-SN1	4601-PL-SN		\$3,476
SN	TKCTR7H60-SN2	4601-MC-SN		\$3,476
SN	TKCTR7H60-SN3	4063-PL-BN		\$4,104
SN	TKCTR7H60-SN4	4063-MC-BN		\$4,104
SN	TKCTR7H60-SN5	4601-PL-SN	4145-54-SN	\$3,784
SN	TKCTR7H60-SN6	4601-MC-SN	4145-54-SN	\$3,784

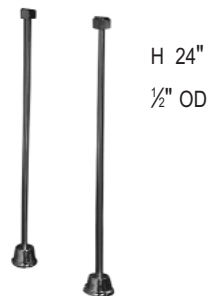
Each Tub Kit includes:

CTR7H60 Cast Iron Roll Top Tub in white with feet and accessories in the same finish as chosen filler

One of the Tub Fillers listed to the left

Tub fillers are pictured to the right

5577 Straight Bath Supplies



5599 Tub Waste and Overflow



Height adjustable to 15" - 18"
 Depth adjustable to 12" - 14"

To substitute White feet order part #CIWH, Black feet order part #CIBL, Bisque feet order part #CIBQ

CP Polished Chrome **ORB** Oil Rubbed Bronze **SN** Brushed Nickel

Cast Iron Tub Kits



4601-PL
(CP, ORB, SN)



4601-MC
(CP, ORB, SN)



4145 (CP, ORB, SN)



4063-MC
(CP, ORB, SN)



TKCTR7H60-CP4



4063-PL
(CP, ORB, SN)

Cast Iron Tub Kits

Brocton 67" Cast Iron Roll Top Tub in White

- Inside finish is white to match outside
 - Non-skid strips
 - Ball and Claw feet are cast iron
 - Tap deck
 - 3/8" centers in tub wall
 - L 68
 - W 30 1/2"
 - H 23 1/4" (from floor to top of tub)
 - 18 1/8" (from bottom of tub to top of tub)
- Gallon capacity: 57 • Shipping weight: 502 lbs.
 Empty weight: 309 lbs. • Filled weight: 785 lbs.

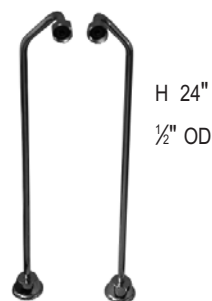
FINISH	KIT MODEL NO.	FILLER	LIST
CP	TKCTR67-CP1	4124-CP	\$3,208
CP	TKCTR67-CP2	4143-48-CP	\$3,545
CP	TKCTR67-CP3	4190-54-CP	\$3,011
CP	TKCTR67-CP4	4191-54-CP	\$3,039
CP	TKCTR67-CP5	4192-54-CP	\$2,983
CP	TKCTR67-CP6	4198-54-CP	\$3,039
CP	TKCTR67-CP7	4050-MC-CP	\$3,011
CP	TKCTR67-CP8	4051-PL-CP	\$2,814
CP	TKCTR67-CP9	4052-PL-CP	\$2,814
CP	TKCTR67-CP10	4035-ML-CP	\$3,011
ORB	TKCTR67-ORB1	4022-PL-ORB	\$3,826
ORB	TKCTR67-ORB2	4025-PL-ORB	\$3,826
SN	TKCTR67-SN1	4143-48-SN	\$3,826
SN	TKCTR67-SN2	4050-MC-SN	\$2,926
SN	TKCTR67-SN3	4052-PL-SN	\$3,039

Each Tub Kit includes:

CTR67 Cast Iron Roll Top Tub in white with feet and accessories in the same finish as chosen filler

One of the Tub Fillers listed to the left
 Tub fillers are pictured to the right

5576 Double Offset Bath Supplies



5599 Tub Waste and Overflow



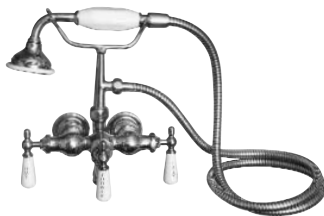
To substitute White feet order part #CIWH, Black feet order part #CIBL, Bisque feet order part #CIBQ

CP Polished Chrome **ORB** Oil Rubbed Bronze **SN** Brushed Nickel

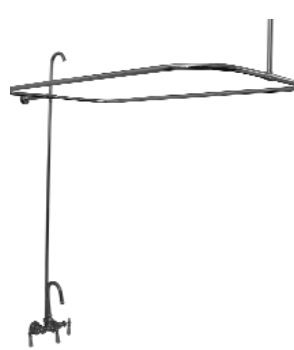
Cast Iron Tub Kits



4022-PL-ORB



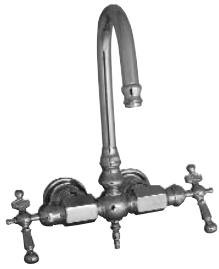
4025-PL-CP



4124-CP



4143 (CP,SN)



4035-ML-CP



4050-MC (CP,SN)



4190-54-CP



4191-54-CP



4051-PL-CP



4052-PL (CP,SN)



4192-54-CP



TKCTR67-CP9



4198-54-CP

Cast Iron Tub Kits

Brocton 67" Cast Iron Roll Top Tub in White

- Inside finish is white
- Non-skid strips
- Ball and Claw feet
- Tap deck
- No faucet holes

Gallon capacity: 57 • Shipping weight: 502 lbs.

Empty weight: 309 lbs. • Filled weight: 785 lbs.

L 68"

W 30½"

H 23¼" (from floor to top of tub)

18⅝" (from bottom of tub to top of tub)

FINISH	KIT MODEL NO.	FILLER	ROD	LIST
CP	TKCTR67-CP1	4602-PL-CP		\$3,534
CP	TKCTR67-CP2	4602-MC-CP		\$3,534
CP	TKCTR67-CP3	4602-PL-CP	4150-54-CP	\$3,775
CP	TKCTR67-CP4	4602-MC-CP	4150-54-CP	\$3,775
CP	TKCTR67-CP5	4602-PL-CP	4145-60-CP	\$3,713
CP	TKCTR67-CP6	4602-MC-CP	4145-60-CP	\$3,713
ORB	TKCTR67-ORB1	4602-PL-ORB		\$4,437
ORB	TKCTR67-ORB2	4602-MC-ORB		\$4,437
ORB	TKCTR67-ORB3	4602-PL-ORB	4150-48-ORB	\$4,854
ORB	TKCTR67-ORB4	4602-MC-ORB	4150-48-ORB	\$4,854
ORB	TKCTR67-ORB5	4602-PL-ORB	4145-60-ORB	\$5,146
ORB	TKCTR67-ORB6	4602-MC-ORB	4145-60-ORB	\$5,146
SN	TKCTR67-SN1	4602-PL-SN		\$3,683
SN	TKCTR67-SN2	4602-MC-SN		\$3,683
SN	TKCTR67-SN3	4602-PL-SN	4150-54-SN	\$4,077
SN	TKCTR67-SN4	4602-MC-SN	4150-54-SN	\$4,077
SN	TKCTR67-SN5	4602-PL-SN	4145-60-SN	\$4,392
SN	TKCTR67-SN6	4602-MC-SN	4145-60-SN	\$4,392

Each Tub Kit includes:

CTR67 Cast Iron Roll Top Tub in white with feet and accessories in the same finish as chosen filler

One of the Tub Fillers listed to the left

Tub fillers are pictured to the right

4502-PL Freestanding Bath Supplies



5599 Tub Waste and Overflow



To substitute White feet order part #CIWH, Black feet order part #CIBL, Bisque feet order part #CIBQ

CP Polished Chrome **ORB** Oil Rubbed Bronze **SN** Brushed Nickel

Cast Iron Tub Kits



4602-PL
(CP, ORB, SN)



4145 (CP, ORB, SN)



4602-MC
(CP, ORB, SN)



4150 (CP, ORB, SN)



TKCTRN67-SN2

Cast Iron Tub Kits

Cadmus 68" Cast Iron Roll Top Tub in White

- Inside finish is white to match outside
- Non-skid strips
- Ball and Claw feet are cast iron
- 7" holes in deck

Gallon capacity: 57 • Shipping weight: 502 lbs.

Empty weight: 309 lbs. • Filled weight: 785 lbs.

L 68

W 30½"

H 23¼" (from floor to top of tub)

18⅝" (from bottom of tub to top of tub)

FINISH	KIT MODEL NO.	FILLER	ROD	LIST
CP	TKCTR7H67-CP1	4601-PL-CP		\$3,255
CP	TKCTR7H67-CP2	4601-MC-CP		\$3,255
CP	TKCTR7H67-CP3	4063-PL-CP		\$3,662
CP	TKCTR7H67-CP4	4063-MC-CP		\$3,662
CP	TKCTR7H67-CP5	4601-PL-CP	4145-60-CP	\$3,443
CP	TKCTR7H67-CP6	4601-MC-CP	4145-60-CP	\$3,443
ORB	TKCTR7H67-ORB1	4601-PL-ORB		\$4,114
ORB	TKCTR7H67-ORB2	4601-MC-ORB		\$4,114
ORB	TKCTR7H67-ORB3	4063-PL-ORB		\$4,952
ORB	TKCTR7H67-ORB4	4063-MC-ORB		\$4,952
ORB	TKCTR7H67-ORB5	4601-PL-ORB	4145-60-ORB	\$4,821
ORB	TKCTR7H67-ORB6	4601-MC-ORB	4145-60-ORB	\$4,821
SN	TKCTR7H67-SN1	4601-PL-SN		\$3,476
SN	TKCTR7H67-SN2	4601-MC-SN		\$3,476
SN	TKCTR7H67-SN3	4063-PL-BN		\$4,334
SN	TKCTR7H67-SN4	4063-MC-BN		\$4,334
SN	TKCTR7H67-SN5	4601-PL-SN	4145-60-SN	\$4,185
SN	TKCTR7H67-SN6	4601-MC-SN	4145-60-SN	\$4,185

Each Tub Kit includes:

CTR7H67 Cast Iron Roll Top Tub in white with feet and accessories in the same finish as chosen filler

One of the Tub Fillers listed to the left

Tub fillers are pictured to the right

5577 Straight Bath Supplies



5599 Tub Waste and Overflow



Height adjustable to 15" - 18"
Depth adjustable to 12" - 14"

To substitute White feet order part #CIWH, Black feet order part #CIBL, Bisque feet order part #CIBQ

CP Polished Chrome **ORB** Oil Rubbed Bronze **SN** Brushed Nickel

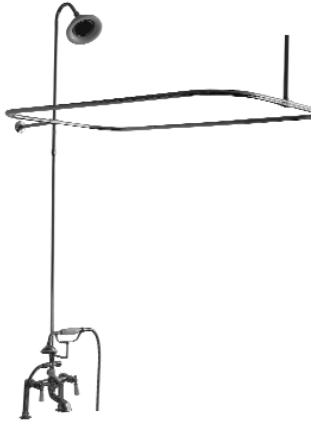
Cast Iron Tub Kits



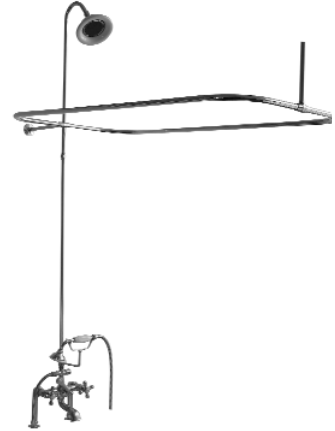
4601-PL
(CP, ORB, SN)



4601-MC
(CP, ORB, SN)



4063-PL
(CP, ORB, SN)



4063-MC
(CP, ORB, SN)



4145 (CP, ORB, SN)



TKCTR7H67-SN3

Cast Iron Tub Kits

Griffin 60" Cast Iron Slipper Tub in White

- Inside finish is white to match outside
- Non-skid strips
- Ball and Claw feet are cast iron
- 7" holes in deck

Gallon capacity: 43 • Shipping weight: 500 lbs.

Empty weight: 300 lbs. • Filled weight: 679 lbs.

L 61¼"

W 30¾"

H 21½" and 31" (from floor to top of tub)

15½" and 23¾" (from bottom of tub to top of tub)

FINISH	KIT MODEL NO.	FILLER	ROD	LIST
CP	TKCTSH60-CP1	4601-PL-CP		\$3,870
CP	TKCTSH60-CP2	4601-MC-CP		\$3,870
CP	TKCTSH60-CP3	4063-PL-CP		\$4,276
CP	TKCTSH60-CP4	4063-MC-CP		\$4,276
CP	TKCTSH60-CP5	4601-PL-CP	4145-54-CP	\$4,007
CP	TKCTSH60-CP6	4601-MC-CP	4145-54-CP	\$4,007
ORB	TKCTSH60-ORB1	4601-PL-ORB		\$4,734
ORB	TKCTSH60-ORB2	4601-MC-ORB		\$4,734
ORB	TKCTSH60-ORB3	4063-PL-ORB		\$5,415
ORB	TKCTSH60-ORB4	4063-MC-ORB		\$5,415
ORB	TKCTSH60-ORB5	4601-PL-ORB	4145-54-ORB	\$5,130
ORB	TKCTSH60-ORB6	4601-MC-ORB	4145-54-ORB	\$5,130
SN	TKCTSH60-SN1	4601-PL-SN		\$4,102
SN	TKCTSH60-SN2	4601-MC-SN		\$4,102
SN	TKCTSH60-SN3	4063-PL-BN		\$4,730
SN	TKCTSH60-SN4	4063-MC-BN		\$4,730
SN	TKCTSH60-SN5	4601-PL-SN	4145-54-SN	\$4,411
SN	TKCTSH60-SN6	4601-MC-SN	4145-54-SN	\$4,411

Each Tub Kit includes:

CTSH60 Cast Iron Slipper Tub in white with feet and accessories in the same finish as chosen filler

One of the Tub Fillers listed to the left

Tub fillers are pictured to the right

5577 Straight Bath Supplies



5599 Tub Waste and Overflow



To substitute White feet order part #CIWH, Black feet order part #CIBL, Bisque feet order part #CIBQ

CP Polished Chrome **ORB** Oil Rubbed Bronze **SN** Brushed Nickel

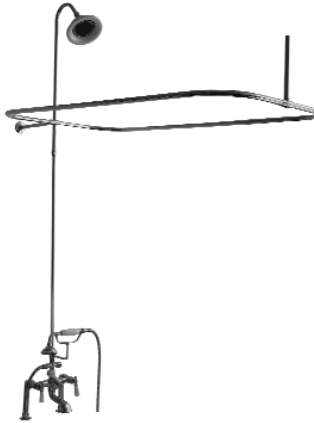
Cast Iron Tub Kits



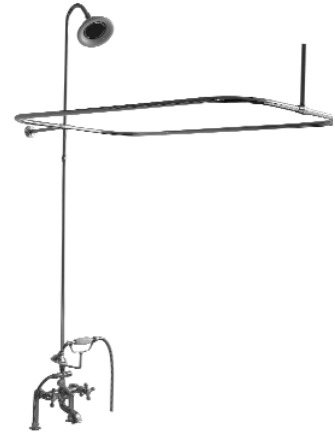
4601-PL
(CP, ORB, SN)



4601-MC
(CP, ORB, SN)



4063-PL
(CP, ORB, SN)



4063-MC
(CP, ORB, SN)



4145 (CP, ORB, SN)



TKCTSH60-CP3

Cast Iron Tub Kits

Griffin 60" Cast Iron Slipper Tub in White

- Inside finish is white to match outside
- Non-skid strips
- Ball and Claw feet are cast iron
- No faucet holes
- Tap deck

L 61¼"

W 30¼"

H 21½" and 31" (from floor to top of tub)

15½" and 23¾" (from bottom of tub to top of tub)

Gallon capacity: 43 • Shipping weight: 500 lbs.

Empty weight: 300 lbs. • Filled weight: 679 lbs.

FINISH	KIT MODEL NO.	FILLER	ROD	LIST
CP	TKCTSN60-CP1	4602-PL-CP		\$4,150
CP	TKCTSN60-CP2	4602-MC-CP		\$4,150
CP	TKCTSN60-CP3	4602-PL-CP	4150-54-CP	\$4,391
CP	TKCTSN60-CP4	4602-MC-CP	4150-54-CP	\$4,391
CP	TKCTSN60-CP5	4602-PL-CP	4145-54-CP	\$4,286
CP	TKCTSN60-CP6	4602-MC-CP	4145-54-CP	\$4,286
ORB	TKCTSN60-ORB1	4602-PL-ORB		\$5,058
ORB	TKCTSN60-ORB2	4602-MC-ORB		\$5,058
ORB	TKCTSN60-ORB3	4602-PL-ORB	4150-48-ORB	\$5,475
ORB	TKCTSN60-ORB4	4602-MC-ORB	4150-48-ORB	\$5,475
ORB	TKCTSN60-ORB5	4602-PL-ORB	4145-54-ORB	\$5,454
ORB	TKCTSN60-ORB6	4602-MC-ORB	4145-54-ORB	\$5,454
SN	TKCTSN60-SN1	4602-PL-SN		\$4,311
SN	TKCTSN60-SN2	4602-MC-SN		\$4,311
SN	TKCTSN60-SN3	4602-PL-SN	4150-54-SN	\$4,702
SN	TKCTSN60-SN4	4602-MC-SN	4150-54-SN	\$4,702
SN	TKCTSN60-SN5	4602-PL-SN	4145-54-SN	\$4,619
SN	TKCTSN60-SN6	4602-MC-SN	4145-54-SN	\$4,619

Each Tub Kit includes:

CTSN60 Cast Iron Slipper Tub in white with feet and accessories in the same finish as chosen filler

One of the Tub Fillers listed to the left

Tub fillers are pictured to the right

4502-PL Freestanding Bath Supplies



5599 Tub Waste and Overflow



To substitute White feet order part #CIWH, Black feet order part #CIBL, Bisque feet order part #CIBQ

CP Polished Chrome **ORB** Oil Rubbed Bronze **SN** Brushed Nickel

Cast Iron Tub Kits



4602-PL
(CP, ORB, SN)



4145 (CP, ORB, SN)



4602-MC
(CP, ORB, SN)



4150 (CP, ORB, SN)



TKCTSN60-CP5

Cast Iron Tub Kits

Icarus 67" Cast Iron Slipper Tub in White

- Inside finish is white to match outside
- Non-skid strips
- Ball and Claw feet are cast iron
- 7" holes in deck

L 67"

W 29"

H 22" and 29" (from floor to top of tub)

Gallon capacity: 57 • Shipping weight: 410 lbs.

Empty weight: 300 lbs. • Filled weight: 776 lbs.

FINISH	KIT MODEL NO.	FILLER	ROD	LIST
SN	TKCTS7H67-BN1	4601-PL-SN		\$4,102
SN	TKCTS7H67-BN2	4601-MC-SN		\$4,102
SN	TKCTS7H67-BN3	4063-PL-BN		\$4,730
SN	TKCTS7H67-BN4	4063-MC-BN		\$4,730
SN	TKCTS7H67-BN5	4601-PL-SN	4145-54-SN	\$4,411
SN	TKCTS7H67-BN6	4601-MC-SN	4145-54-SN	\$4,411
CP	TKCTS7H67-CP1	4601-PL-CP		\$3,870
CP	TKCTS7H67-CP2	4601-MC-CP		\$3,870
CP	TKCTS7H67-CP3	4063-PL-CP		\$4,276
CP	TKCTS7H67-CP4	4063-MC-CP		\$4,276
CP	TKCTS7H67-CP5	4601-PL-CP	4145-60-CP	\$4,048
CP	TKCTS7H67-CP6	4601-MC-CP	4145-60-CP	\$4,048
ORB	TKCTS7H67-ORB1	4601-PL-ORB		\$4,734
ORB	TKCTS7H67-ORB2	4601-MC-ORB		\$4,734
ORB	TKCTS7H67-ORB3	4063-PL-ORB		\$5,415
ORB	TKCTS7H67-ORB4	4063-MC-ORB		\$5,415
ORB	TKCTS7H67-ORB5	4601-PL-ORB	4145-54-ORB	\$5,130
ORB	TKCTS7H67-ORB6	4601-MC-ORB	4145-54-ORB	\$5,130

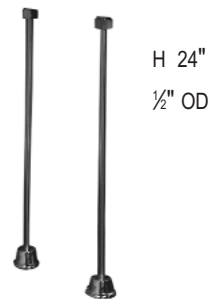
Each Tub Kit includes:

CTS7H67 Cast Iron Slipper Tub in white with feet and accessories in the same finish as chosen filler

One of the Tub Fillers listed to the left

Tub fillers are pictured to the right

5577 Straight Bath Supplies



5599 Tub Waste and Overflow



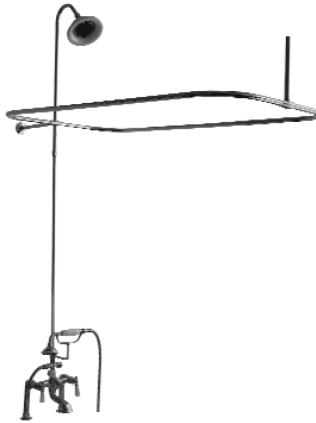
To substitute White feet order part #CIWH, Black feet order part #CIBL, Bisque feet order part #CIBQ

CP Polished Chrome **ORB** Oil Rubbed Bronze **SN** Brushed Nickel

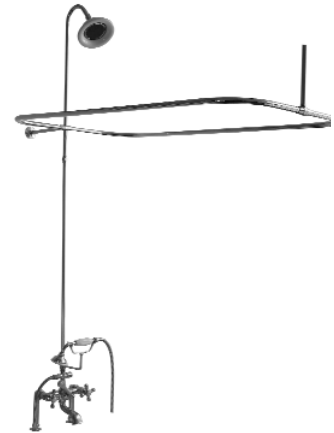
Cast Iron Tub Kits



4601-PL
(CP, ORB, SN)



4063-PL
(CP, ORB, SN)



4063-MC
(CP, ORB, SN)



4601-MC
(CP, ORB, SN)



4145 (CP, ORB, SN)



TKCTS7H67-CP4

Cast Iron Tub Kits

Icarus 67" Cast Iron Slipper Tub in White

- Inside finish is white to match outside
- Non-skid strips
- Ball and Claw feet are cast iron
- No faucet holes

L 67"
W 29"
H 22" and 29" (from floor to top of tub)

Gallon capacity: 57 • Shipping weight: 410 lbs.

Empty weight: 300 lbs. • Filled weight: 776 lbs.

FINISH	KIT MODEL NO.	FILLER	ROD	LIST
SN	TKCTSN67-BN1	4602-PL-SN		\$4,311
SN	TKCTSN67-BN2	4602-MC-SN		\$4,311
SN	TKCTSN67-BN3	4602-PL-SN	4150-54-SN	\$4,702
SN	TKCTSN67-BN4	4602-MC-SN	4150-54-SN	\$4,702
SN	TKCTSN67-BN5	4602-PL-SN	4145-54-SN	\$4,619
SN	TKCTSN67-BN6	4602-MC-SN	4145-54-SN	\$4,619
CP	TKCTSN67-CP1	4602-PL-CP		\$4,150
CP	TKCTSN67-CP2	4602-MC-CP		\$4,150
CP	TKCTSN67-CP3	4602-PL-CP	4150-54-CP	\$4,391
CP	TKCTSN67-CP4	4602-MC-CP	4150-54-CP	\$4,391
CP	TKCTSN67-CP5	4602-PL-CP	4145-60-CP	\$4,328
CP	TKCTSN67-CP6	4602-MC-CP	4145-60-CP	\$4,328
ORB	TKCTSN67-ORB1	4602-PL-ORB		\$5,058
ORB	TKCTSN67-ORB2	4602-MC-ORB		\$5,058
ORB	TKCTSN67-ORB3	4602-PL-ORB	4150-48-ORB	\$5,475
ORB	TKCTSN67-ORB4	4602-MC-ORB	4150-48-ORB	\$5,475
ORB	TKCTSN67-ORB5	4602-PL-ORB	4145-54-ORB	\$5,454
ORB	TKCTSN67-ORB6	4602-MC-ORB	4145-54-ORB	\$5,454

Each Tub Kit includes:

CTSN67 Cast Iron Slipper Tub in white with feet and accessories in the same finish as chosen filler

One of the Tub Fillers listed to the left

Tub fillers are pictured to the right

4502-PL Freestanding Bath Supplies



H 30"
1/2" OD

5599 Tub Waste and Overflow



Height adjustable to 15" - 18"
Depth adjustable to 12" - 14"

To substitute White feet order part #CIWH, Black feet order part #CIBL, Bisque feet order part #CIBQ

CP Polished Chrome **ORB** Oil Rubbed Bronze **SN** Brushed Nickel

Cast Iron Tub Kits



4602-PL
(CP, ORB, SN)



4145 (CP, ORB, SN)



4602-MC
(CP, ORB, SN)



4150 (CP, ORB, SN)



TKCTSN67-CP2

Cast Iron Tub Kits

Columbus 61" Cast Iron Double Roll Top Tub

- Inside finish: white enamel
- Imperial feet are cast iron

L 61"
 W 31"
 H 24" (from floor to top of tub)
 18" (from bottom of tub to top of tub)

Gallon capacity: 60 • Shipping weight: 480 lbs.
 Empty weight: 300 lbs. • Filled weight: 801 lbs.

FINISH	KIT MODEL NO.	FILLER	LIST
CP	TKCTDRH61-CP1	4601-PL-CP	\$3,327
CP	TKCTDRH61-CP2	4601-MC-CP	\$3,327
ORB	TKCTDRH61-ORB1	4601-PL-ORB	\$4,228
ORB	TKCTDRH61-ORB2	4601-MC-ORB	\$4,228
SN	TKCTDRH61-SN1	4601-PL-SN	\$3,608
SN	TKCTDRH61-SN2	4601-MC-SN	\$3,608

7" Centers in deck

FINISH	KIT MODEL NO.	FILLER	LIST
CP	TKCTDRN61-CP1	4602-PL-CP	\$3,608
CP	TKCTDRN61-CP2	4602-MC-CP	\$3,608
ORB	TKCTDRN61-ORB1	4602-PL-ORB	\$4,509
ORB	TKCTDRN61-ORB2	4602-MC-ORB	\$4,509
SN	TKCTDRN61-SN1	4602-PL-SN	\$3,833
SN	TKCTDRN61-SN2	4602-MC-SN	\$3,833

No faucet holes

Each Tub Kit includes:

CTDRH61 Double Roll Top Cast Iron Tub with feet and accessories in the same finish as chosen filler

One of the Tub Fillers listed to the left
 Tub fillers are pictured to the right

5577 Straight Bath Supplies
5599 Tub Waste and Overflow



CTDRN61 Double Roll Top Cast Iron Tub with feet and accessories in the same finish as chosen filler

One of the Tub Fillers listed to the left
 Tub fillers are pictured to the right

4502-PL Freestanding Bath Supplies
5599 Tub Waste and Overflow



To substitute White feet order part #CIWH-T, Black feet order part #CIBL-T, Bisque feet order part #CIBQ-T

CP Polished Chrome **ORB** Oil Rubbed Bronze **SN** Brushed Nickel

Cast Iron Tub Kits



4601-PL
(CP, ORB, SN)



4601-MC
(CP, ORB, SN)



4602-PL
(CP, ORB, SN)



4602-MC
(CP, ORB, SN)



TKCTDRN61-CP2

Cast Iron Tub Kits

Columbus 61" Cast Iron Double Roll Top Tub on Base

• Inside finish:
white enamel

• Includes
cast iron base

L 61"

W 31"

H 24" (from floor to top of tub)

18" (from bottom of tub to top of tub)

Gallon capacity: 60 • Shipping weight: 480 lbs.

Empty weight: 300 lbs. • Filled weight: 801 lbs.

FINISH	KIT MODEL NO.	FILLER	LIST
CP	TKCTDRH61B-CP1	4601-PL-CP	\$3,796
CP	TKCTDRH61B-CP2	4601-MC-CP	\$3,776
ORB	TKCTDRH61B-ORB1	4601-PL-ORB	\$4,256
ORB	TKCTDRH61B-ORB2	4601-MC-ORB	\$4,266
SN	TKCTDRH61B-SN1	4601-PL-SN	\$3,969
SN	TKCTDRH61B-SN2	4601-MC-SN	\$3,946

7" Centers in deck

FINISH	KIT MODEL NO.	FILLER	LIST
CP	TKCTDRN61B-CP1	4602-PL-CP	\$3,974
CP	TKCTDRN61B-CP2	4602-MC-CP	\$3,954
ORB	TKCTDRN61B-ORB1	4602-PL-ORB	\$4,588
ORB	TKCTDRN61B-ORB2	4602-MC-ORB	\$4,577
SN	TKCTDRN61B-SN1	4602-PL-SN	\$4,193
SN	TKCTDRN61B-SN2	4602-MC-SN	\$4,169

No faucet holes

Each Tub Kit includes:

CTDRH61B Double Roll Top Cast Iron Tub on Base with accessories in the same finish as chosen filler

One of the Tub Fillers listed to the left
Tub fillers are pictured to the right

5577 Straight Bath Supplies

5599 Tub Waste and Overflow

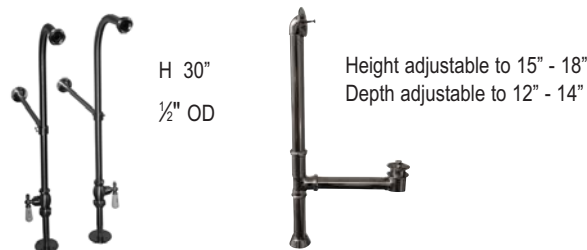


CTDRN61B Double Roll Top Cast Iron Tub on Base with accessories in the same finish as chosen filler

One of the Tub Fillers listed to the left
Tub fillers are pictured to the right

4502-PL Freestanding Bath Supplies

5599 Tub Waste and Overflow



To substitute White feet order part #CIWH-T, Black feet order part #CIBL-T, Bisque feet order part #CIBQ-T

CP Polished Chrome **ORB** Oil Rubbed Bronze **SN** Brushed Nickel

Cast Iron Tub Kits



4601-PL
(CP, ORB, SN)



4601-MC
(CP, ORB, SN)



4602-PL
(CP, ORB, SN)



4602-MC
(CP, ORB, SN)



TKCTDR7H61B-CP1

Cast Iron Tub Kits

Duet 67" Cast Iron Double Roll Top Tub

- Inside finish: white enamel
- Non-skid strips
- Imperial feet are cast iron

Gallon capacity: 55 • Shipping weight: 570 lbs.

Empty weight: 350 lbs. • Filled weight: 809 lbs.

L 67¼"

W 31"

H 23¼" (from floor to top of tub)

18½" (from bottom of tub to top of tub)

FINISH	KIT MODEL NO.	FILLER	LIST
CP	TKCTDRH-CP1	4601-PL-CP	\$3,433
CP	TKCTDRH-CP2	4601-MC-CP	\$3,433
ORB	TKCTDRH-ORB1	4601-PL-ORB	\$4,334
ORB	TKCTDRH-ORB2	4601-MC-ORB	\$4,334
SN	TKCTDRH-SN1	4601-PL-SN	\$3,714
SN	TKCTDRH-SN2	4601-MC-SN	\$3,714

Each Tub Kit includes:

CTDRH Double Roll Top Cast Iron Tub with feet and accessories in the same finish as chosen filler

One of the Tub Fillers listed to the left
Tub fillers are pictured to the right

5577 Straight Bath Supplies

5599 Tub Waste and Overflow



7" Centers in deck

FINISH	KIT MODEL NO.	FILLER	LIST
CP	TKCTDRN-CP1	4602-PL-CP	\$3,714
CP	TKCTDRN-CP2	4602-MC-CP	\$3,714
ORB	TKCTDRN-ORB1	4602-PL-ORB	\$4,615
ORB	TKCTDRN-ORB2	4602-MC-ORB	\$4,615
SN	TKCTDRN-SN1	4602-PL-SN	\$3,939
SN	TKCTDRN-SN2	4602-MC-SN	\$3,939

CTDRN Double Roll Top Cast Iron Tub with feet and accessories in the same finish as chosen filler

One of the Tub Fillers listed to the left
Tub fillers are pictured to the right

4502-PL Freestanding Bath Supplies

5599 Tub Waste and Overflow



No faucet holes

To substitute White feet order part #CIWH-T, Black feet order part #CIBL-T, Bisque feet order part #CIBQ-T

CP Polished Chrome **ORB** Oil Rubbed Bronze **SN** Brushed Nickel

Cast Iron Tub Kits



4601-PL
(CP, ORB, SN)



4601-MC
(CP, ORB, SN)



4602-PL
(CP, ORB, SN)



4602-MC
(CP, ORB, SN)



TKCTDRN-CP2

Cast Iron Tub Kits

Duet 67" Cast Iron Double Roll Top Tub on Base

- Inside finish: white enamel
- Non-skid strips
- Includes cast iron base

Gallon capacity: 55 • Shipping weight: 570 lbs.

Empty weight: 350 lbs. • Filled weight: 809 lbs.

L 67½"
 W 31"
 H 23¼" (from floor to top of tub)
 18½" (from bottom of tub to top of tub)

FINISH	KIT MODEL NO.	FILLER	LIST
CP	TKCTDRHB-CP1	4601-PL-CP	\$3,902
CP	TKCTDRHB-CP2	4601-MC-CP	\$3,882
ORB	TKCTDRHB-ORB1	4601-PL-ORB	\$4,362
ORB	TKCTDRHB-ORB2	4601-MC-ORB	\$4,372
SN	TKCTDRHB-SN1	4601-PL-SN	\$4,075
SN	TKCTDRHB-SN2	4601-MC-SN	\$4,052

7" Centers in deck

FINISH	KIT MODEL NO.	FILLER	LIST
CP	TKCTDRNB-CP1	4602-PL-CP	\$4,080
CP	TKCTDRNB-CP2	4602-MC-CP	\$4,060
ORB	TKCTDRNB-ORB1	4602-PL-ORB	\$4,694
ORB	TKCTDRNB-ORB2	4602-MC-ORB	\$4,683
SN	TKCTDRNB-SN1	4602-PL-SN	\$4,299
SN	TKCTDRNB-SN2	4602-MC-SN	\$4,276

No faucet holes

Each Tub Kit includes:

CTDRHB Double Roll Top Cast Iron Tub on Base with accessories in the same finish as chosen filler

One of the Tub Fillers listed to the left
 Tub fillers are pictured to the right

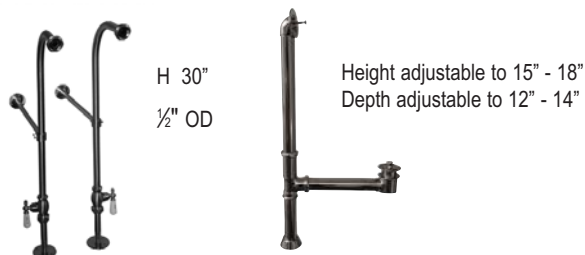
5577 Straight Bath Supplies
5599 Tub Waste and Overflow



CTDRNB Double Roll Top Cast Iron Tub on Base with accessories in the same finish as chosen filler

One of the Tub Fillers listed to the left
 Tub fillers are pictured to the right

4502-PL Freestanding Bath Supplies
5599 Tub Waste and Overflow



To substitute White feet order part #CIWH-T, Black feet order part #CIBL-T, Bisque feet order part #CIBQ-T

CP Polished Chrome **ORB** Oil Rubbed Bronze **SN** Brushed Nickel

Cast Iron Tub Kits



4601-PL
(CP, ORB, SN)



4601-MC
(CP, ORB, SN)



4602-PL
(CP, ORB, SN)



4602-MC
(CP, ORB, SN)



TKCTDRHB-CP1

Cast Iron Tub Kits

Marshall 71" Cast Iron Double Slipper Tub

- Inside finish: white enamel
- Non-skid strips
- Lion Paw feet are cast iron

Gallon capacity: 43 • Shipping weight: 544 lbs.

Empty weight: 364 lbs. • Filled weight: 723 lbs.

L 71"
 W 31"
 H 30" (from floor to top of tub)
 18½" (from floor to top center of tub)
 26¾" (from bottom of tub to top of tub)

FINISH	KIT MODEL NO.	FILLER	LIST
CP	TKCTDSH-CP1	4601-PL-CP	\$4,259
CP	TKCTDSH-CP2	4601-MC-CP	\$4,239
ORB	TKCTDSH-ORB1	4601-PL-ORB	\$4,383
ORB	TKCTDSH-ORB2	4601-MC-ORB	\$4,393
SN	TKCTDSH-SN1	4601-PL-SN	\$4,454
SN	TKCTDSH-SN2	4601-MC-SN	\$4,431

7" Centers in deck

FINISH	KIT MODEL NO.	FILLER	LIST
CP	TKCTDSN-CP1	4602-PL-CP	\$4,436
CP	TKCTDSN-CP2	4602-MC-CP	\$4,417
ORB	TKCTDSN-ORB1	4602-PL-ORB	\$5,522
ORB	TKCTDSN-ORB2	4602-MC-ORB	\$5,515
SN	TKCTDSN-SN1	4602-PL-SN	\$4,677
SN	TKCTDSN-SN2	4602-MC-SN	\$4,657

No faucet holes

Each Tub Kit includes:

CTDSH Double Slipper Cast Iron Tub with feet and accessories in the same finish as chosen filler

One of the Tub Fillers listed to the left
 Tub fillers are pictured to the right

5577 Straight Bath Supplies
5599 Tub Waste and Overflow



CTDSN Double Slipper Cast Iron Tub with feet and accessories in the same finish as chosen filler

One of the Tub Fillers listed to the left
 Tub fillers are pictured to the right

4502-PL Freestanding Bath Supplies
5599 Tub Waste and Overflow



To substitute White feet order part #CIWH-LT, Black feet order part #CIBL-LT, Bisque feet order part #CIBQ-LT

CP Polished Chrome **ORB** Oil Rubbed Bronze **SN** Brushed Nickel

Cast Iron Tub Kits



4601-PL
(CP, ORB, SN)



4601-MC
(CP, ORB, SN)



4602-PL
(CP, ORB, SN)



4602-MC
(CP, ORB, SN)



TKCTDSH-CP1

Cast Iron Tub Kits

Marshall 71" Cast Iron Double Slipper Tub on Base

- Inside finish: white enamel
- Non-skid strips
- Includes cast iron base

Gallon capacity: 43 • Shipping weight: 544 lbs.

Empty weight: 364 lbs. • Filled weight: 723 lbs.

L 71"
 W 31"
 H 30" (from floor to top of tub)
 18½" (from floor to top center of tub)
 26¾" (from bottom of tub to top of tub)

FINISH	KIT MODEL NO.	FILLER	LIST
CP	TKCTDSHB-CP1	4601-PL-CP	\$4,790
CP	TKCTDSHB-CP2	4601-MC-CP	\$4,770
ORB	TKCTDSHB-ORB1	4601-PL-ORB	\$4,913
ORB	TKCTDSHB-ORB2	4601-MC-ORB	\$4,923
SN	TKCTDSHB-SN1	4601-PL-SN	\$4,984
SN	TKCTDSHB-SN2	4601-MC-SN	\$4,962

7" Centers in deck

FINISH	KIT MODEL NO.	FILLER	LIST
CP	TKCTDSNB-CP1	4602-PL-CP	\$4,967
CP	TKCTDSNB-CP2	4602-MC-CP	\$4,947
ORB	TKCTDSNB-ORB1	4602-PL-ORB	\$6,052
ORB	TKCTDSNB-ORB2	4602-MC-ORB	\$6,045
SN	TKCTDSNB-SN1	4602-PL-SN	\$5,208
SN	TKCTDSNB-SN2	4602-MC-SN	\$5,187

No faucet holes

Each Tub Kit includes:

CTDSHB Double Slipper Cast Iron Tub on Base with accessories in the same finish as chosen filler

One of the Tub Fillers listed to the left
 Tub fillers are pictured to the right

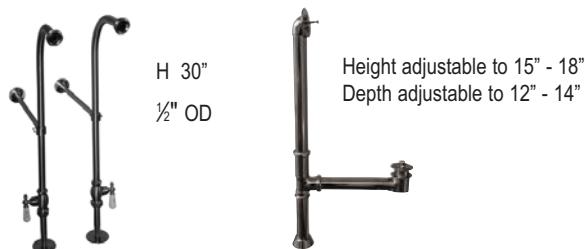
5577 Straight Bath Supplies
5599 Tub Waste and Overflow



CTDSNB Double Slipper Cast Iron Tub on Base with accessories in the same finish as chosen filler

One of the Tub Fillers listed to the left
 Tub fillers are pictured to the right

4502-PL Freestanding Bath Supplies
5599 Tub Waste and Overflow



To substitute White feet order part #CIWH-LT, Black feet order part #CIBL-LT, Bisque feet order part #CIBQ-LT

CP Polished Chrome **ORB** Oil Rubbed Bronze **SN** Brushed Nickel

Cast Iron Tub Kits



4601-PL
(CP, ORB, SN)



4601-MC
(CP, ORB, SN)



4602-PL
(CP, ORB, SN)



4602-MC
(CP, ORB, SN)



TKCTDSNB-CP2

Item No	Page	Item No	Page	Item No	Page
TKADR60-BBN1.....	8	TKADTS60-BBN1.....	20	TKADTS67-WORB1.....	26
TKADR60-BBN2.....	8	TKADTS60-BBN2.....	20	TKADTS67-WORB2.....	26
TKADR60-BBN3.....	8	TKADTS60-BBN3.....	20	TKADTS67-WORB3.....	26
TKADR60-BBN4.....	8	TKADTS60-BBN4.....	20	TKADTS67-WORB4.....	26
TKADR60-BCP1.....	8	TKADTS60-BBN5.....	20	TKADTS67-WORB5.....	26
TKADR60-BCP2.....	8	TKADTS60-BBN6.....	20	TKADTS67-WORB6.....	26
TKADR60-BCP3.....	8	TKADTS60-BCP1.....	20	TKATR60-BBN1.....	4
TKADR60-BCP4.....	8	TKADTS60-BCP2.....	20	TKATR60-BBN2.....	4
TKADR60-BCP5.....	8	TKADTS60-BCP3.....	20	TKATR60-BBN3.....	4
TKADR60-BCP6.....	8	TKADTS60-BCP4.....	20	TKATR60-BBN4.....	4
TKADR60-BCP7.....	8	TKADTS60-BCP5.....	20	TKATR60-BCP1.....	4
TKADR60-BCP8.....	8	TKADTS60-BCP6.....	20	TKATR60-BCP2.....	4
TKADR60-BCP9.....	8	TKADTS60-BORB1.....	20	TKATR60-BCP3.....	4
TKADR60-BCP10.....	8	TKADTS60-BORB2.....	20	TKATR60-BCP4.....	4
TKADR60-BORB1.....	8	TKADTS60-BORB3.....	20	TKATR60-BCP5.....	4
TKADR60-BORB2.....	8	TKADTS60-BORB4.....	20	TKATR60-BCP6.....	4
TKADR60-WBN1.....	10	TKADTS60-BORB5.....	20	TKATR60-BCP7.....	4
TKADR60-WBN2.....	10	TKADTS60-BORB6.....	20	TKATR60-BCP8.....	4
TKADR60-WBN3.....	10	TKADTS60-WBN1.....	22	TKATR60-BCP9.....	4
TKADR60-WBN4.....	10	TKADTS60-WBN2.....	22	TKATR60-BCP10.....	4
TKADR60-WCP1.....	10	TKADTS60-WBN3.....	22	TKATR60-BORB1.....	4
TKADR60-WCP2.....	10	TKADTS60-WBN4.....	22	TKATR60-BORB2.....	4
TKADR60-WCP3.....	10	TKADTS60-WBN5.....	22	TKATR60-WBN1.....	6
TKADR60-WCP4.....	10	TKADTS60-WBN6.....	22	TKATR60-WBN2.....	6
TKADR60-WCP5.....	10	TKADTS60-WCP1.....	22	TKATR60-WBN3.....	6
TKADR60-WCP6.....	10	TKADTS60-WCP2.....	22	TKATR60-WBN4.....	6
TKADR60-WCP7.....	10	TKADTS60-WCP3.....	22	TKATR60-WCP1.....	6
TKADR60-WCP8.....	10	TKADTS60-WCP4.....	22	TKATR60-WCP2.....	6
TKADR60-WCP9.....	10	TKADTS60-WCP5.....	22	TKATR60-WCP3.....	6
TKADR60-WCP10.....	10	TKADTS60-WCP6.....	22	TKATR60-WCP4.....	6
TKADR60-WORB1.....	10	TKADTS60-WORB1.....	22	TKATR60-WCP5.....	6
TKADR60-WORB2.....	10	TKADTS60-WORB2.....	22	TKATR60-WCP6.....	6
TKADR67-WBN1.....	14	TKADTS60-WORB3.....	22	TKATR60-WCP7.....	6
TKADR67-WBN2.....	14	TKADTS60-WORB4.....	22	TKATR60-WCP8.....	6
TKADR67-WBN3.....	14	TKADTS60-WORB5.....	22	TKATR60-WCP9.....	6
TKADR67-WBN4.....	14	TKADTS60-WORB6.....	22	TKATR60-WCP10.....	6
TKADR67-WCP1.....	14	TKADTS67-WBN1.....	26	TKATR60-WORB1.....	6
TKADR67-WCP2.....	14	TKADTS67-WBN2.....	26	TKATR60-WORB2.....	6
TKADR67-WCP3.....	14	TKADTS67-WBN3.....	26	TKATR67-WBN1.....	12
TKADR67-WCP4.....	14	TKADTS67-WBN5.....	26	TKATR67-WBN2.....	12
TKADR67-WCP5.....	14	TKADTS67-WBN4.....	26	TKATR67-WBN3.....	12
TKADR67-WCP6.....	14	TKADTS67-WBN6.....	26	TKATR67-WBN4.....	12
TKADR67-WCP7.....	14	TKADTS67-WCP1.....	26	TKATR67-WCP1.....	12
TKADR67-WCP8.....	14	TKADTS67-WCP2.....	26	TKATR67-WCP2.....	12
TKADR67-WCP9.....	14	TKADTS67-WCP3.....	26	TKATR67-WCP3.....	12
TKADR67-WCP10.....	14	TKADTS67-WCP4.....	26	TKATR67-WCP4.....	12
TKADR67-WORB1.....	14	TKADTS67-WCP5.....	26	TKATR67-WCP5.....	12
TKADR67-WORB2.....	14	TKADTS67-WCP6.....	26	TKATR67-WCP6.....	12

Item No	Page	Item No	Page	Item No	Page
TKATR67-WCP7.....	12	TKATS67-WCP1.....	24	TKCTDRNB-CP1.....	58
TKATR67-WCP8.....	12	TKATS67-WCP2.....	24	TKCTDRNB-CP1.....	58
TKATR67-WCP9.....	12	TKATS67-WCP3.....	24	TKCTDRNB-CP2.....	58
TKATR67-WCP10.....	12	TKATS67-WCP4.....	24	TKCTDRNB-ORB1.....	58
TKATR67-WORB1.....	12	TKATS67-WCP5.....	24	TKCTDRNB-ORB2.....	58
TKATR67-WORB2.....	12	TKATS67-WCP6.....	24	TKCTDRNB-SN1.....	58
TKATS60-BBN1.....	16	TKATS67-WORB1.....	24	TKCTDRNB-SN2.....	58
TKATS60-BBN2.....	16	TKATS67-WORB2.....	24	TKCTDRN-CP1.....	56
TKATS60-BBN3.....	16	TKATS67-WORB3.....	24	TKCTDRN-CP2.....	56
TKATS60-BBN4.....	16	TKATS67-WORB4.....	24	TKCTDRN-ORB1.....	56
TKATS60-BBN5.....	16	TKATS67-WORB5.....	24	TKCTDRN-ORB2.....	56
TKATS60-BBN6.....	16	TKATS67-WORB6.....	24	TKCTDRN-SN1.....	56
TKATS60-BCP1.....	16	TKCTDRH61-CP1.....	52	TKCTDRN-SN2.....	56
TKATS60-BCP2.....	16	TKCTDRH61-CP2.....	52	TKCTDSHB-CP1.....	62
TKATS60-BCP3.....	16	TKCTDRH61-ORB1.....	52	TKCTDSHB-CP2.....	62
TKATS60-BCP4.....	16	TKCTDRH61-ORB2.....	52	TKCTDSHB-ORB1.....	62
TKATS60-BCP5.....	16	TKCTDRH61-SN1.....	52	TKCTDSHB-ORB2.....	62
TKATS60-BCP6.....	16	TKCTDRH61-SN2.....	52	TKCTDSHB-SN1.....	62
TKATS60-BORB1.....	16	TKCTDRH61B-CP1.....	54	TKCTDSHB-SN2.....	62
TKATS60-BORB2.....	16	TKCTDRH61B-CP2.....	54	TKCTDSH-CP1.....	60
TKATS60-BORB3.....	16	TKCTDRH61B-ORB1.....	54	TKCTDSH-CP2.....	60
TKATS60-BORB4.....	16	TKCTDRH61B-ORB2.....	54	TKCTDSH-ORB1.....	60
TKATS60-BORB5.....	16	TKCTDRH61B-SN1.....	54	TKCTDSH-ORB2.....	60
TKATS60-BORB6.....	16	TKCTDRH61B-SN2.....	54	TKCTDSH-SN1.....	60
TKATS60-WBN1.....	18	TKCTDRHB-CP1.....	58	TKCTDSH-SN2.....	60
TKATS60-WBN2.....	18	TKCTDRHB-CP2.....	58	TKCTDSNB-CP1.....	62
TKATS60-WBN3.....	18	TKCTDRHB-ORB1.....	58	TKCTDSNB-CP2.....	62
TKATS60-WBN4.....	18	TKCTDRHB-ORB2.....	58	TKCTDSNB-ORB1.....	62
TKATS60-WBN5.....	18	TKCTDRHB-SN1.....	58	TKCTDSNB-ORB2.....	62
TKATS60-WBN6.....	18	TKCTDRHB-SN2.....	58	TKCTDSNB-SN1.....	62
TKATS60-WCP1.....	18	TKCTDRH-CP1.....	56	TKCTDSNB-SN2.....	62
TKATS60-WCP2.....	18	TKCTDRH-CP2.....	56	TKCTDSN-CP1.....	60
TKATS60-WCP3.....	18	TKCTDRH-ORB1.....	56	TKCTDSN-CP2.....	60
TKATS60-WCP4.....	18	TKCTDRH-ORB2.....	56	TKCTDSN-ORB1.....	60
TKATS60-WCP5.....	18	TKCTDRH-SN1.....	56	TKCTDSN-ORB2.....	60
TKATS60-WCP6.....	18	TKCTDRH-SN2.....	56	TKCTDSN-SN1.....	60
TKATS60-WORB1.....	18	TKCTDRN61-CP1.....	52	TKCTDSN-SN2.....	60
TKATS60-WORB2.....	18	TKCTDRN61-CP2.....	52	TKCTR60-CP1.....	32
TKATS60-WORB3.....	18	TKCTDRN61-ORB1.....	52	TKCTR60-CP2.....	32
TKATS60-WORB4.....	18	TKCTDRN61-ORB2.....	52	TKCTR60-CP3.....	32
TKATS60-WORB5.....	18	TKCTDRN61-SN1.....	52	TKCTR60-CP4.....	32
TKATS60-WORB6.....	18	TKCTDRN61-SN2.....	52	TKCTR60-CP5.....	32
TKATS67-WBN1.....	24	TKCTDRN61B-CP1.....	54	TKCTR60-CP6.....	32
TKATS67-WBN2.....	24	TKCTDRN61B-CP2.....	54	TKCTR60-CP7.....	32
TKATS67-WBN3.....	24	TKCTDRN61B-ORB1.....	54	TKCTR60-CP8.....	32
TKATS67-WBN4.....	24	TKCTDRN61B-ORB2.....	54	TKCTR60-CP9.....	32
TKATS67-WBN5.....	24	TKCTDRN61B-SN1.....	54	TKCTR60-CP10.....	32
TKATS67-WBN6.....	24	TKCTDRN61B-SN2.....	54	TKCTR60-ORB1.....	32

Item No	Page	Item No	Page	Item No	Page
TKCTR60-ORB2.....	32	TKCTR7H67-ORB6.....	42	TKCTRN60-ORB3.....	34
TKCTR60-SN1.....	32	TKCTR7H67-SN1.....	42	TKCTRN60-ORB4.....	34
TKCTR60-SN2.....	32	TKCTR7H67-SN2.....	42	TKCTRN60-ORB5.....	34
TKCTR60-SN3.....	32	TKCTR7H67-SN3.....	42	TKCTRN60-ORB6.....	34
TKCTR67-CP1.....	38	TKCTR7H67-SN4.....	42	TKCTRN60-SN1.....	34
TKCTR67-CP2.....	38	TKCTR7H67-SN5.....	42	TKCTRN60-SN2.....	34
TKCTR67-CP3.....	38	TKCTR7H67-SN6.....	42	TKCTRN60-SN3.....	34
TKCTR67-CP4.....	38	TKCTRH54-CP1.....	28	TKCTRN60-SN4.....	34
TKCTR67-CP5.....	38	TKCTRH54-CP2.....	28	TKCTRN60-SN5.....	34
TKCTR67-CP6.....	38	TKCTRH54-CP3.....	28	TKCTRN60-SN6.....	34
TKCTR67-CP7.....	38	TKCTRH54-CP4.....	28	TKCTRN67-CP1.....	40
TKCTR67-CP8.....	38	TKCTRH54-CP5.....	28	TKCTRN67-CP2.....	40
TKCTR67-CP9.....	38	TKCTRH54-CP6.....	28	TKCTRN67-CP3.....	40
TKCTR67-CP10.....	38	TKCTRH54-CP7.....	28	TKCTRN67-CP4.....	40
TKCTR67-ORB1.....	38	TKCTRH54-CP8.....	28	TKCTRN67-CP5.....	40
TKCTR67-ORB2.....	38	TKCTRH54-CP9.....	28	TKCTRN67-CP6.....	40
TKCTR67-SN1.....	38	TKCTRH54-CP10.....	28	TKCTRN67-ORB1.....	40
TKCTR67-SN2.....	38	TKCTRH54-ORB1.....	28	TKCTRN67-ORB2.....	40
TKCTR67-SN3.....	38	TKCTRH54-ORB2.....	28	TKCTRN67-ORB3.....	40
TKCTR7H60-CP1.....	36	TKCTRH54-SN1.....	28	TKCTRN67-ORB4.....	40
TKCTR7H60-CP2.....	36	TKCTRH54-SN2.....	28	TKCTRN67-ORB5.....	40
TKCTR7H60-CP3.....	36	TKCTRH54-SN3.....	28	TKCTRN67-ORB6.....	40
TKCTR7H60-CP4.....	36	TKCTRN54-CP1.....	30	TKCTRN67-SN1.....	40
TKCTR7H60-CP5.....	36	TKCTRN54-CP2.....	30	TKCTRN67-SN2.....	40
TKCTR7H60-CP6.....	36	TKCTRN54-CP3.....	30	TKCTRN67-SN3.....	40
TKCTR7H60-ORB1.....	36	TKCTRN54-CP4.....	30	TKCTRN67-SN4.....	40
TKCTR7H60-ORB2.....	36	TKCTRN54-CP5.....	30	TKCTRN67-SN5.....	40
TKCTR7H60-ORB3.....	36	TKCTRN54-CP6.....	30	TKCTRN67-SN6.....	40
TKCTR7H60-ORB4.....	36	TKCTRN54-ORB1.....	30	TKCTS7H67-BN1.....	48
TKCTR7H60-ORB5.....	36	TKCTRN54-ORB2.....	30	TKCTS7H67-BN2.....	48
TKCTR7H60-ORB6.....	36	TKCTRN54-ORB3.....	30	TKCTS7H67-BN3.....	48
TKCTR7H60-SN1.....	36	TKCTRN54-ORB4.....	30	TKCTS7H67-BN4.....	48
TKCTR7H60-SN2.....	36	TKCTRN54-ORB5.....	30	TKCTS7H67-BN5.....	48
TKCTR7H60-SN3.....	36	TKCTRN54-ORB6.....	30	TKCTS7H67-BN6.....	48
TKCTR7H60-SN4.....	36	TKCTRN54-SN1.....	30	TKCTS7H67-CP1.....	48
TKCTR7H60-SN5.....	36	TKCTRN54-SN2.....	30	TKCTS7H67-CP2.....	48
TKCTR7H60-SN6.....	36	TKCTRN54-SN3.....	30	TKCTS7H67-CP3.....	48
TKCTR7H67-CP1.....	42	TKCTRN54-SN4.....	30	TKCTS7H67-CP4.....	48
TKCTR7H67-CP2.....	42	TKCTRN54-SN5.....	30	TKCTS7H67-CP5.....	48
TKCTR7H67-CP3.....	42	TKCTRN54-SN6.....	30	TKCTS7H67-CP6.....	48
TKCTR7H67-CP4.....	42	TKCTRN60-CP1.....	34	TKCTS7H67-ORB1.....	48
TKCTR7H67-CP5.....	42	TKCTRN60-CP2.....	34	TKCTS7H67-ORB2.....	48
TKCTR7H67-CP6.....	42	TKCTRN60-CP3.....	34	TKCTS7H67-ORB3.....	48
TKCTR7H67-ORB1.....	42	TKCTRN60-CP4.....	34	TKCTS7H67-ORB4.....	48
TKCTR7H67-ORB2.....	42	TKCTRN60-CP5.....	34	TKCTS7H67-ORB5.....	48
TKCTR7H67-ORB3.....	42	TKCTRN60-CP6.....	34	TKCTS7H67-ORB6.....	48
TKCTR7H67-ORB4.....	42	TKCTRN60-ORB1.....	34	TKCTSH60-CP1.....	44
TKCTR7H67-ORB5.....	42	TKCTRN60-ORB2.....	34	TKCTSH60-CP2.....	44

Item No	Page	Item No	Page
TKCTSH60-CP3.....	44	TKCTSN67-ORB3.....	50
TKCTSH60-CP4.....	44	TKCTSN67-ORB4.....	50
TKCTSH60-CP5.....	44	TKCTSN67-ORB5.....	50
TKCTSH60-CP6.....	44	TKCTSN67-ORB6.....	50
TKCTSH60-ORB1.....	44		
TKCTSH60-ORB2.....	44		
TKCTSH60-ORB3.....	44		
TKCTSH60-ORB4.....	44		
TKCTSH60-ORB5.....	44		
TKCTSH60-ORB6.....	44		
TKCTSH60-SN1.....	44		
TKCTSH60-SN2.....	44		
TKCTSH60-SN3.....	44		
TKCTSH60-SN4.....	44		
TKCTSH60-SN5.....	44		
TKCTSH60-SN6.....	44		
TKCTSN60-CP1.....	46		
TKCTSN60-CP2.....	46		
TKCTSN60-CP3.....	46		
TKCTSN60-CP4.....	46		
TKCTSN60-CP5.....	46		
TKCTSN60-CP6.....	46		
TKCTSN60-ORB1.....	46		
TKCTSN60-ORB2.....	46		
TKCTSN60-ORB3.....	46		
TKCTSN60-ORB4.....	46		
TKCTSN60-ORB5.....	46		
TKCTSN60-ORB6.....	46		
TKCTSN60-SN1.....	46		
TKCTSN60-SN2.....	46		
TKCTSN60-SN3.....	46		
TKCTSN60-SN4.....	46		
TKCTSN60-SN5.....	46		
TKCTSN60-SN6.....	46		
TKCTSN67-BN1.....	50		
TKCTSN67-BN2.....	50		
TKCTSN67-BN3.....	50		
TKCTSN67-BN4.....	50		
TKCTSN67-BN5.....	50		
TKCTSN67-BN6.....	50		
TKCTSN67-CP1.....	50		
TKCTSN67-CP2.....	50		
TKCTSN67-CP3.....	50		
TKCTSN67-CP4.....	50		
TKCTSN67-CP5.....	50		
TKCTSN67-CP6.....	50		
TKCTSN67-ORB1.....	50		
TKCTSN67-ORB2.....	50		

Barclay Soaker Tub Freight Program



Barclay Has Simplified the Delivery of Your Soaker Tub

No Delivery Charge

For any tub purchased from Barclay Products
to any commercial destination in the **Continental United States.***

Commercial Destinations Only

PLUS . . . Purchase the coordinating tub filler, supplies, shower rod and drain when
you purchase your tub and they also ride for free.

*Alaska and Hawaii are excluded.

Terms and Conditions

TERMS OF SALE: Terms are Net 30 days. Prices are F.O.B. our warehouse in Gurnee, Illinois.

FREIGHT POLICY: All shipments are made F.O.B. our warehouse. Shipping charges will be added to the invoice. All shipments are made at buyer's risk unless we are instructed to ship insured. Claims must be reported within 10 days after receipt of goods. Any claims for damages to the goods occurring during shipping shall be made to the carrier.

POSSESSION OF OUR CATALOG AND/OR PRICE LIST AND ACCESS TO OUR WEBSITE: Possession of our catalog and/or price list or your access to our website does not in any way obligate us to sell to you or service you or your order until such time as we accept your order

PRICES AND AVAILABILITY: Prices are subject to change without notice and shipments will be invoiced at prevailing prices at the time of shipment. We reserve the right to reduce quantities on shipments when necessary, or to refuse orders, based upon product availability. **MINIMUM ORDER:** Due to the nature of our business, we have a minimum net purchase price of \$25.00 per order. Orders for less will be subject to a \$5.00 service charge.

RETURNS: No merchandise will be accepted for return without a written Return Goods Authorization (RGA). All returns must state the reason for the return. Returns made for reasons other than our shipping error, or because of defects in material or workmanship (see Warranty) may be subject to a 25% restocking charge

WARRANTY: Our plumbing products are guaranteed against defects in material and workmanship for a period of one year from the date of sale. Barclay Products will replace or repair such items that may prove to be defective. Barclay Products does not assume liability for labor charges, removal or reinstallation expenses, freight or postage, or injuries resulting from a defective product. Any product problem which results from abuse, misuse, improper installation or maintenance, hard water, proximity to bodies of salt water or accidental damage, are not covered by any warranty set forth. EXCEPT AS SET FORTH HEREIN, BARCLAY HEREBY EXPRESSLY DISCLAIMS ALL WARRANTIES, EITHER EXPRESS OR IMPLIED, BY OPERATION OF LAW OR OTHERWISE, RELATED TO THE PRODUCTS BEING SOLD HEREUNDER, INCLUDING BUT NOT LIMITED TO ANY WARRANTY OF MERCHANTABILITY OR FITNESS FOR A PARTICULAR PURPOSE, WARRANTY OF TITLE, OR ACCURACY. THIS DISCLAIMER SHALL NOT AFFECT THE TERMS OF ANY MANUFACTURER'S WARRANTY. UNDER NO CIRCUMSTANCES AND IN NO EVENT WILL BARCLAY BE LIABLE FOR ANY CONSEQUENTIAL, PUNITIVE SPECIAL OR LIQUIDATED DAMAGES ARISING IN CONNECTION WITH THE DESIGN, MANUFACTURE, SALE, TRANSPORTATION, USE OR REPAIR OF THE PRODUCTS SOLD BY BARCLAY. CUSTOMER HEREBY AGREES THAT UNDER NO CIRCUMSTANCES AND IN NO EVENT SHALL BARCLAY'S LIABILITY EXCEED THE NET SALES PRICE OF THE PRODUCTS. **IMPLIED WARRANTIES:** Implied warranties including that of merchantability are expressly limited in duration to the duration of this warranty. Barclay Products Limited disclaims any responsibility for consequential damages. Some states do not allow limitations on how long an implied warranty lasts, or the exclusion or limitation of incidental damages, so this limitation and exclusion may not apply to you. This warranty gives you specific legal rights. You may also have other rights, which vary from state to state. This is our exclusive written warranty.

NO IMPLIED WARRANTIES: Implied warranties including that of Merchantability and Fitness for a Particular Purpose are expressly superseded by the Warranty herein.

ACTS OF GOD: Except for any obligation hereunder for the payment of money, neither party to this agreement shall be liable for failing to perform its obligations hereunder to the extent such failure results from events beyond such party's reasonable control, which shall include, but not be limited to, accident, casualty, strikes, riots, earthquake, inclement weather, floods, fires, wars, acts of terrorism and acts of God.

DELAY OF THIRD PARTY MANUFACTURER: Barclay Products Limited shall not be responsible for any delay or failure to timely deliver any product due to the actions or inactions of third party manufacturer of such product.

NOTE: Barclay Products Limited reserves the right to make changes in product characteristics, packaging or availability at any time without notice. Due to raw material availability, colors might vary slightly.

NOTE: All items meet or exceed the appropriate ASME A112.9.2-2008 and CSA B45.1-08.

Notes



Barclay is customer focused. Our knowledgeable customer service team is on hand M-F from 8 A.M. to 5 P.M. central time to help with any questions you may have about Barclay's high-quality bath and kitchen products. If you need information on new products, technical specifications, installation, care, replacement parts or additional product literature, just give us a call toll free, 800.446.9700. We'll be happy to help with any questions or requests.

BATH TUB KITS

2019



BARCLAY

SPECIAL

4000 Porett Drive
Gurnee, IL 60031

800.446.9700
sales@barclayproducts.com

www.barclayproducts.com

BY

DESIGN